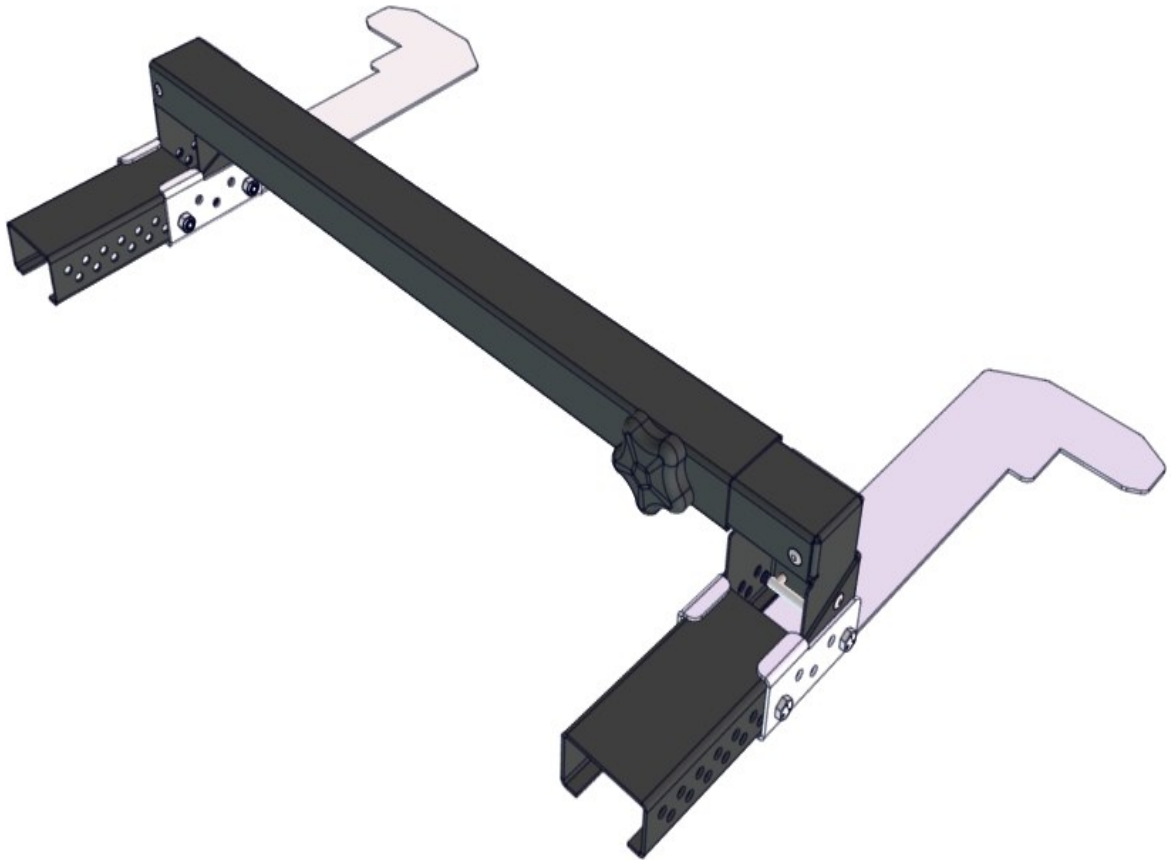


JUSTIN KASE

Manufactured By: **KENDALL HOWARD** 

Instructions



 Information Support Concepts, INC
Leading Information Technology Products Since 1987 

ServerRackOptions.com
800-458-6255

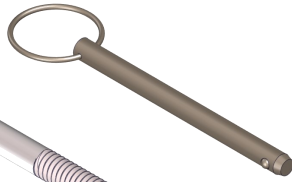
What's included...



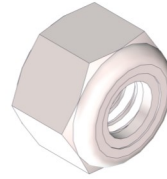
Wrench x2



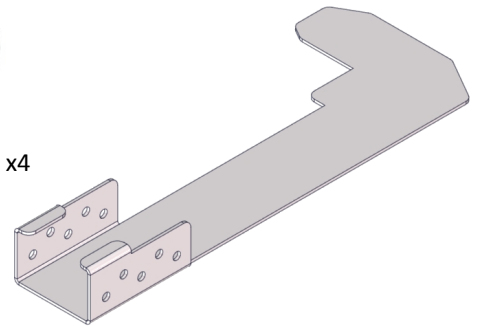
1/4-20x3" Bolt x4



.25" Pin With Ring x4



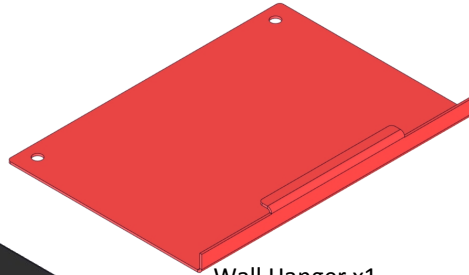
1/4-20 Nut x4



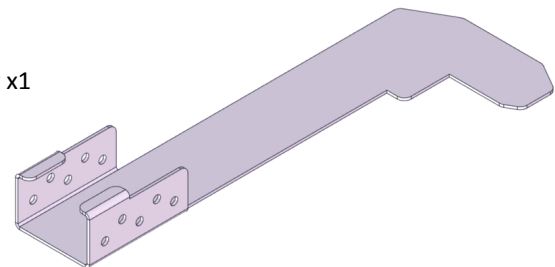
Left Foot x1



Bar Assembly x1

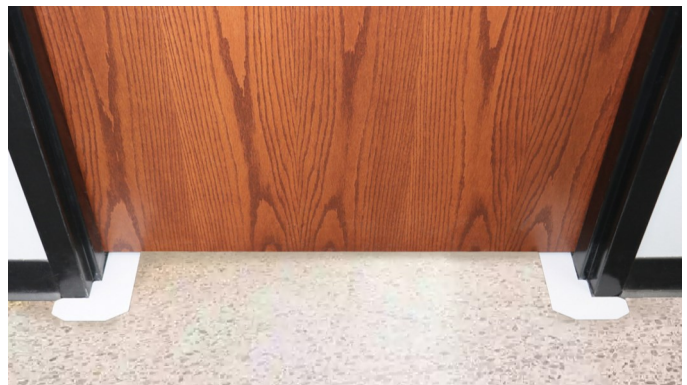


Wall Hanger x1



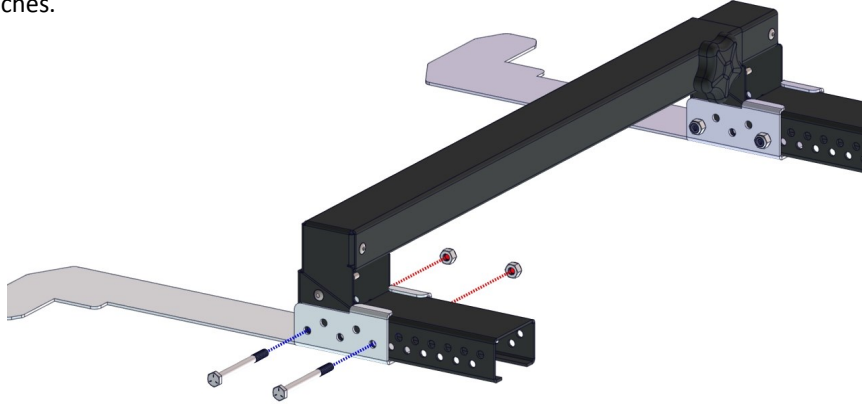
Right foot x1

Step 1: Assemble the left and right feet by sliding the feet onto the bar assembly so that the top flanges hit against the back of the bar assembly. Slide the feet under the door, then loosen the knob and extend the bar assembly so that the feet wrap around the frame of the door.

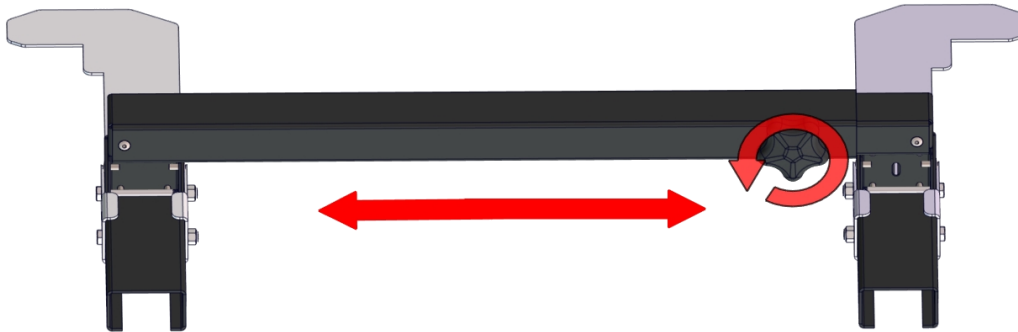


DISCLAIMER: Dominate Safety endeavors to make this manual accurate and complete. However, Dominate Safety makes no representations or warranties of any kind, expressed or implied, about whether the use of products contained herein would infringe any rights or the correctness, accuracy or reliability of the information contained herein or that said information covers all details, conditions or variations. The information herein does not provide for every possible contingency in connection with the installation or use of the product(s). The information contained in this document is subject to change without notice or obligation. Dominate Safety assumes no responsibility for the accuracy, completeness or reliability of the information contained in this document. Any reliance placed on the information is therefore strictly at your own risk.

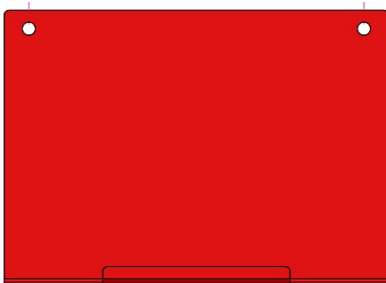
Step 2: While bar assembly is flush against the door, use the provided hardware (push pins or bolts) and insert in the closet aligned holes. The nylon nuts can be used to fasten on the end of the threaded bolts. Be sure to tighten the loose hardware with the provided wrenches.



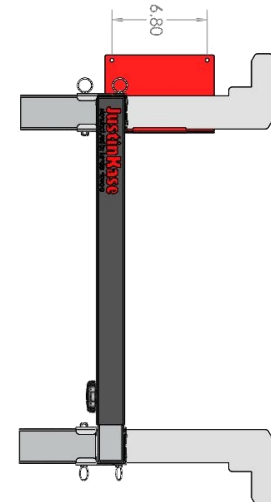
Step 3: Once the hardware is in place, remove from door frame and slide the bar assembly back to its original position and tighten the knob.



Step 4: Hanging the wall bracket. Wall hardware is NOT provided. Use appropriate wall hardware based on the material of your wall.



Final hanging product.



DISCLAIMER: Dominate Safety endeavors to make this manual accurate and complete. However, Dominate Safety makes no representations or warranties of any kind, expressed or implied, about whether the use of products contained herein would infringe any rights or the correctness, accuracy or reliability of the information contained herein or that said information covers all details, conditions or variations. The information herein does not provide for every possible contingency in connection with the installation or use of the product(s). The information contained in this document is subject to change without notice or obligation. Dominate Safety assumes no responsibility for the accuracy, completeness or reliability of the information contained in this document. Any reliance placed on the information is therefore strictly at your own risk.