

Installation Instructions

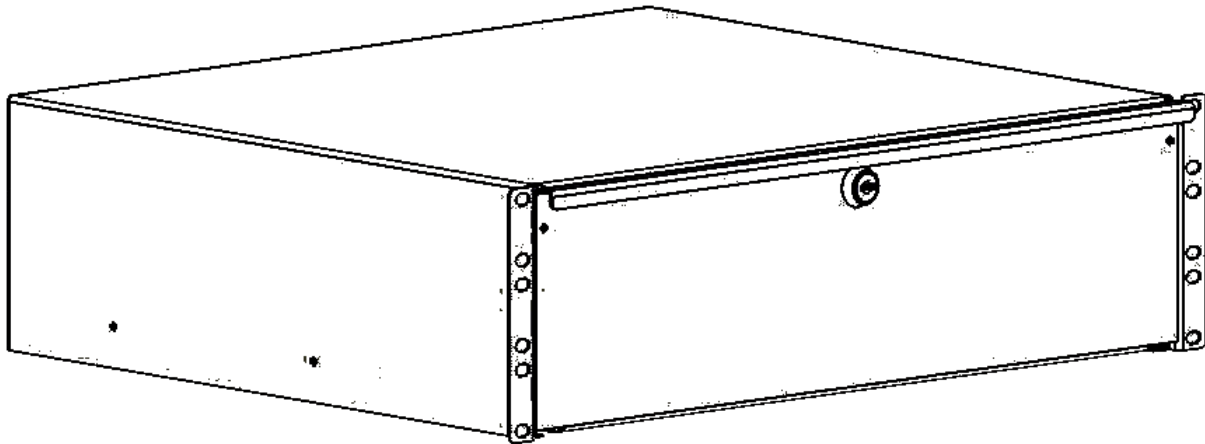
Rackmount Drawers

Part Numbers:

2U - 1922-3-100-02

3U - 1922-3-100-03

4U - 1922-3-100-04

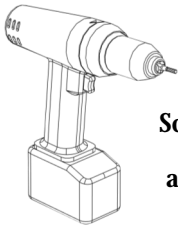


Information Support Concepts
2384 Highway 287 N.
Suite 208
Mansfield, TX 76063-9207

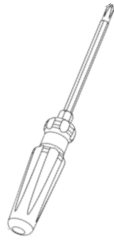
800-458-6255 U.S. Only
Fax (817) 842-9099
Local (817) 842-9090

www.serverrackoptions.com

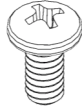
Tools/Hardware needed:



**Screw Driver
and/or Drill**



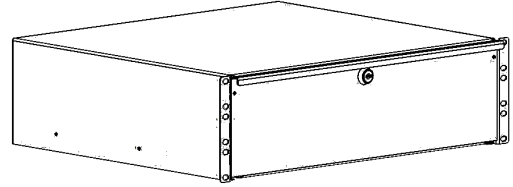
You may also need:



**Rack Screws
And
Cage Nuts**

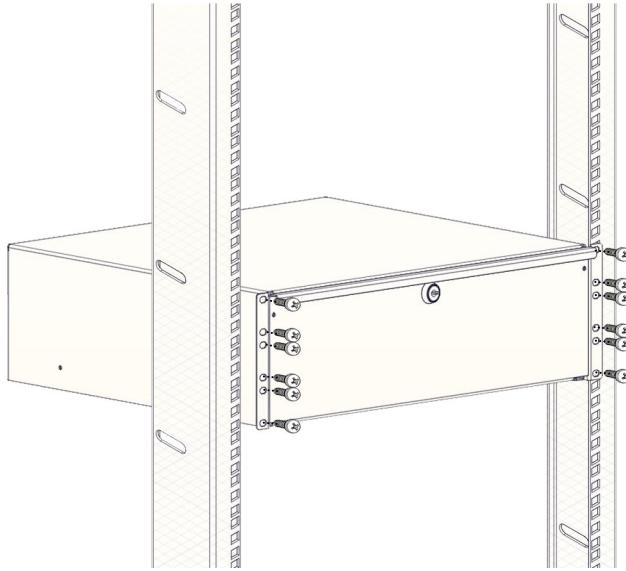


What's in the box?



Qty 1: Rackmount Drawer

Step 1:



Step 2:

