

Installation Instructions

Hinged Patch Panel Brackets

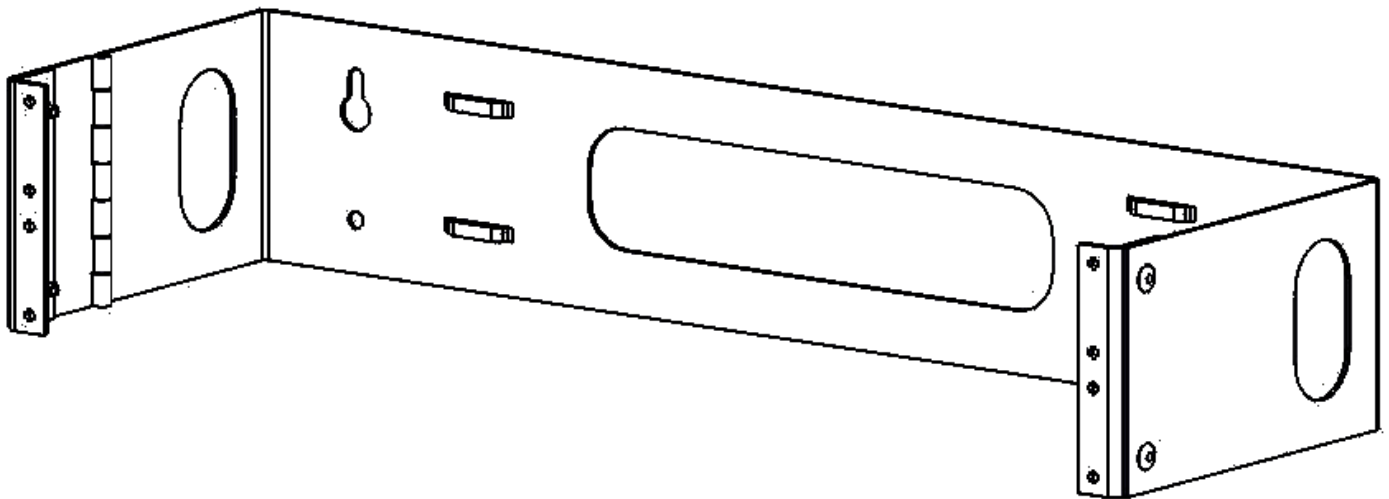
Part Numbers:

1U - 1916-3-200-01

2U - 1916-3-200-02

4U - 1916-3-200-04

6U - 1916-3-200-06

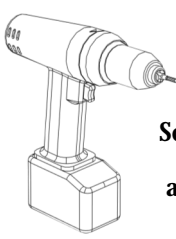


Information Support Concepts
2384 Highway 287 N.
Suite 208
Mansfield, TX 76063-9207

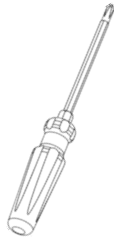
800-458-6255 U.S. Only
Fax (817) 842-9099
Local (817) 842-9090

www.serverrackoptions.com

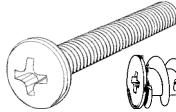
Tools/Hardware needed:



**Screw Driver
and/or Drill**



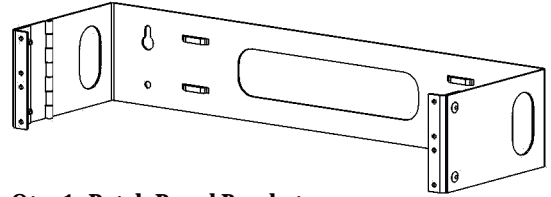
You may also need:



**Mounting screws
and anchors**

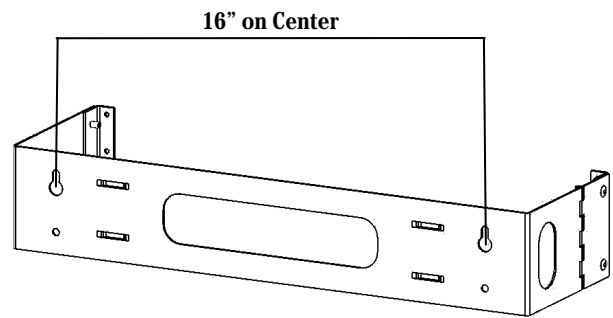
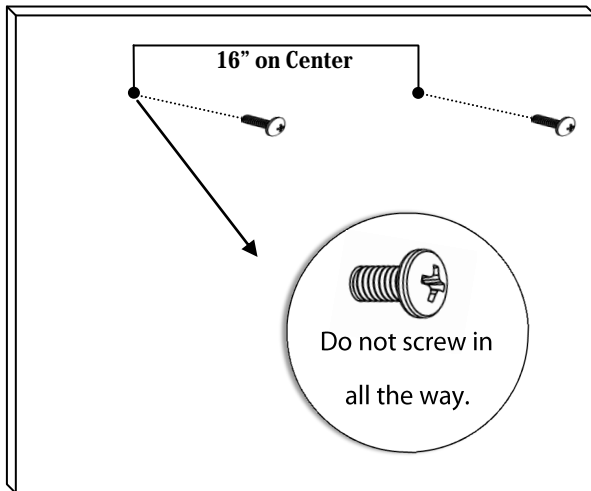
Mounting hardware is **NOT** included

What's in the box?

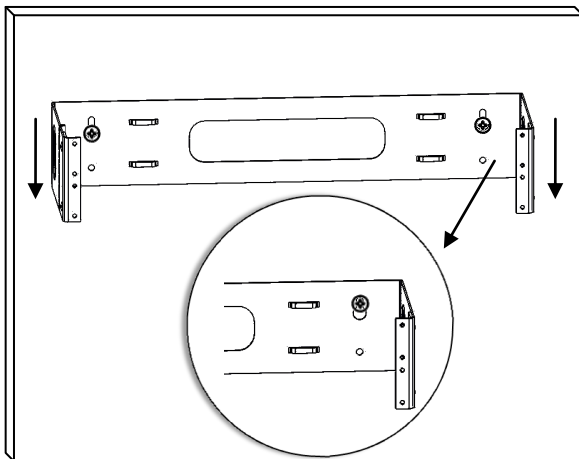


Qty 1: Patch Panel Bracket

Step 1:



Step 2:



Step 3:

