

Assembly Instructions

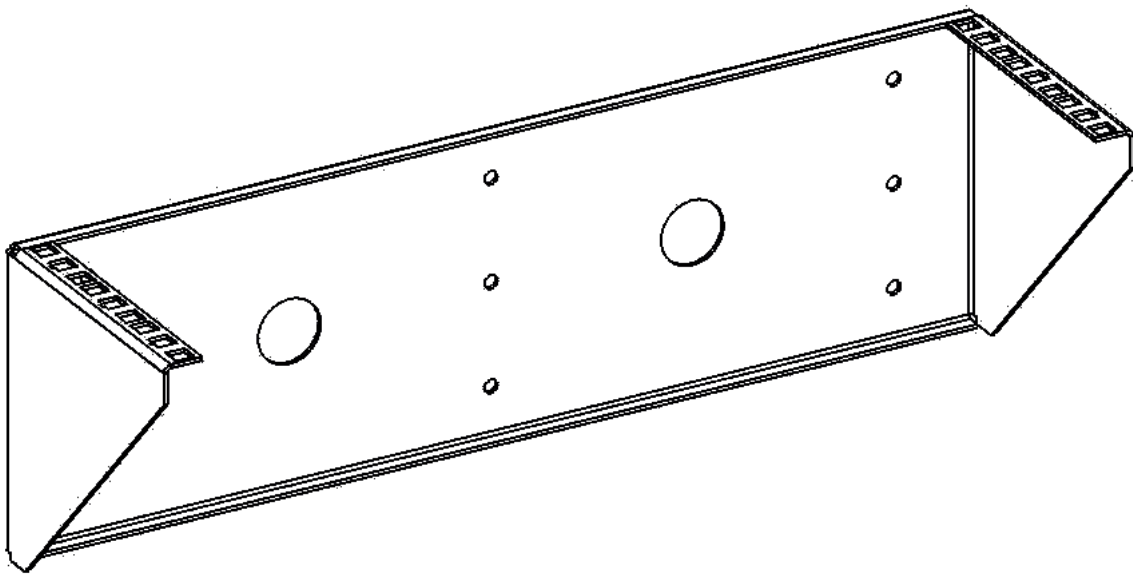
V- Rack

Part Numbers:

2U - 1916-2-100-2

3U - 1916-2-100-3

4U - 1916-2-100-4

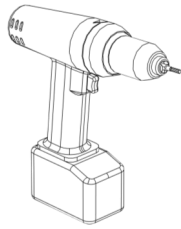
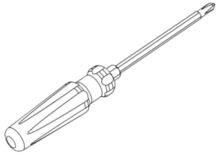


Information Support Concepts
2384 Highway 287 N.
Suite 208
Mansfield, TX 76063-9207

800-458-6255 U.S. Only
Fax (817) 842-9099
Local (817) 842-9090

www.serverrackoptions.com

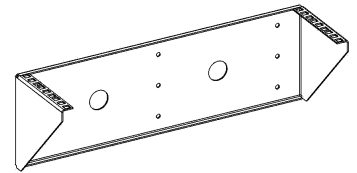
Tools needed:



Screw Driver or Drill

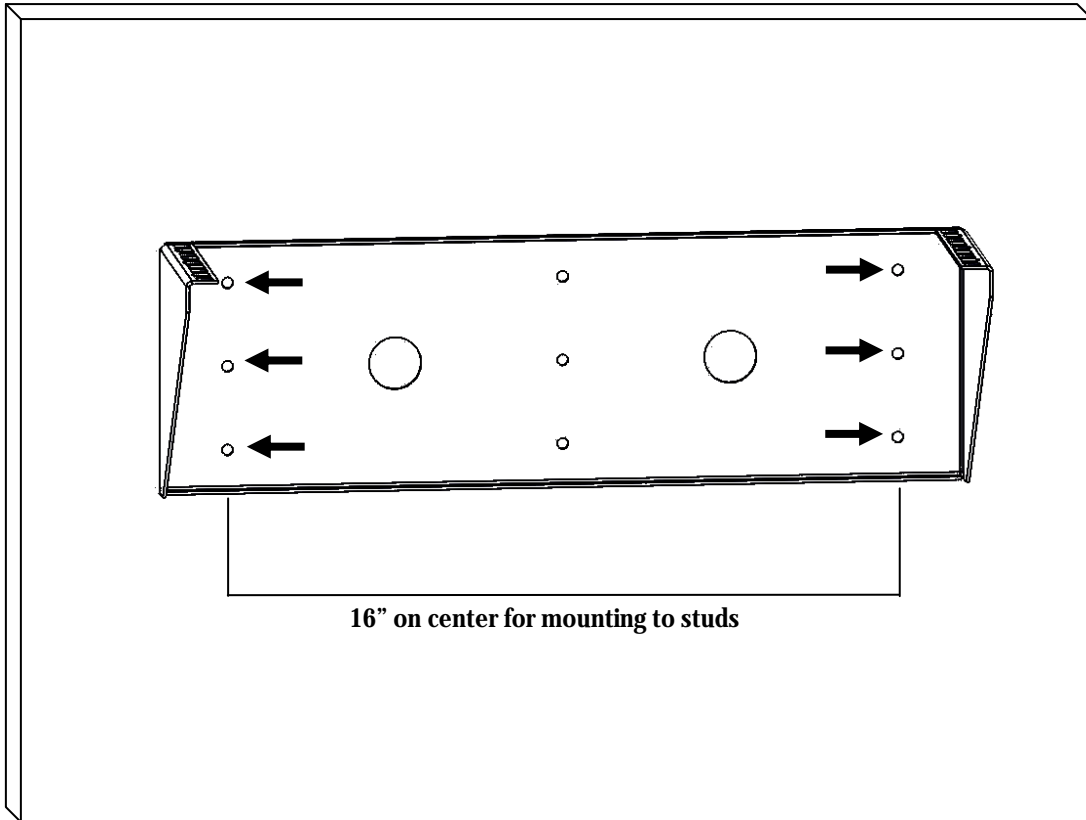
What's in the box?

Qty 1—V-Rack



**** You will need to supply your own mounting hardware.**

Step 1



For safety—mount to studs or use wall anchors