

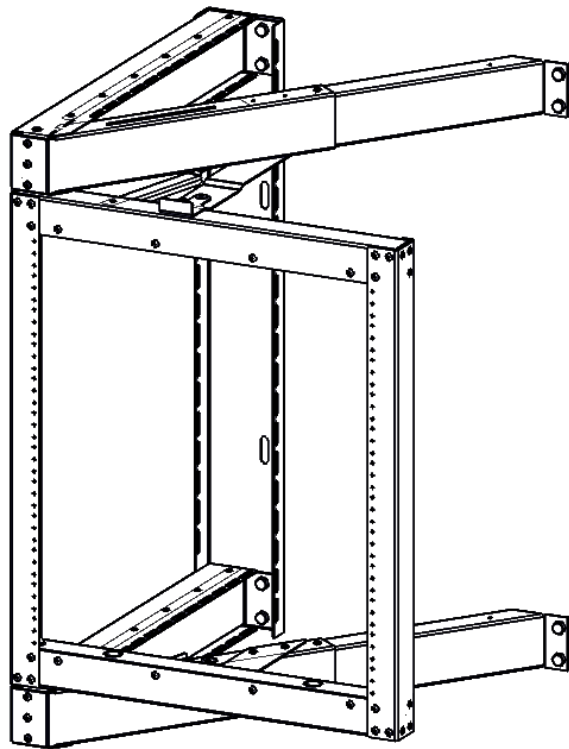
# Assembly Instructions

## Phantom Class® Open Frame Swing-Out

**Part Numbers:**

**1915-3-800-12**

**1915-3-800-18**

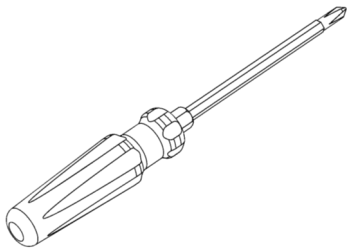


Information Support Concepts  
2384 Highway 287 N.  
Suite 208  
Mansfield, TX 76063-9207

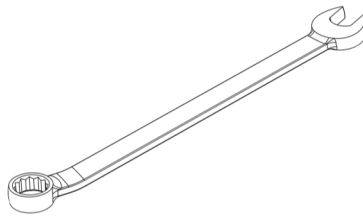
800-458-6255 U.S. Only  
Fax (817) 842-9099  
Local (817) 842-9090

[www.serverrackoptions.com](http://www.serverrackoptions.com)

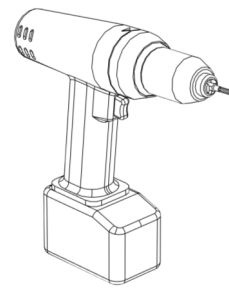
**Tools needed:**



**Philips Head ScrewDriver**



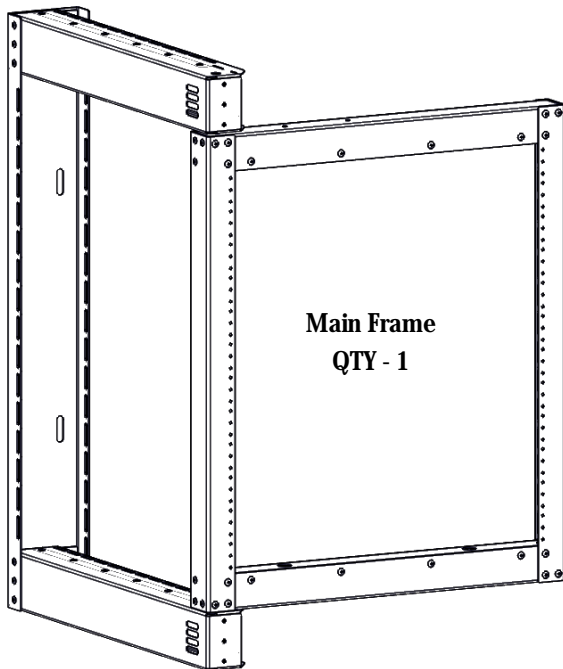
**3/8" Wrench**



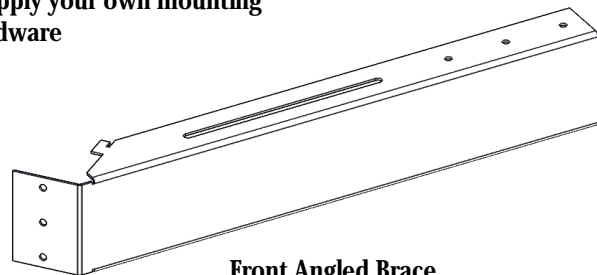
**Power Drill**

**What's in the box?**

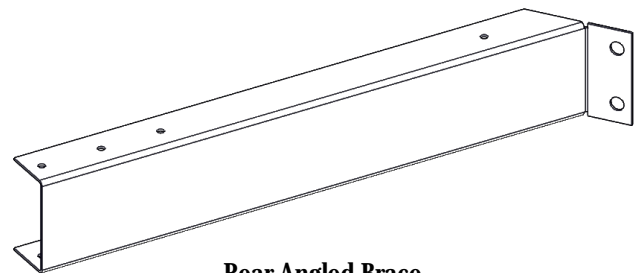
**\*\* You will need to supply your own mounting hardware**



**Main Frame  
QTY - 1**



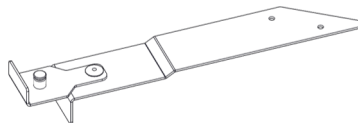
**Front Angled Brace  
QTY - 2**



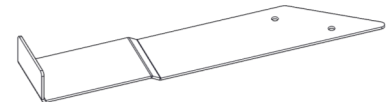
**Rear Angled Brace  
QTY - 2**



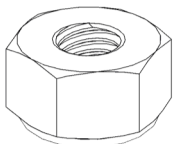
**Swing-Out Brace  
QTY - 2**



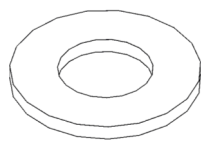
**Upper Stop Bracket w/Latch  
QTY - 1**



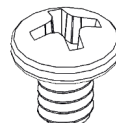
**Lower Stop Bracket  
QTY - 1**



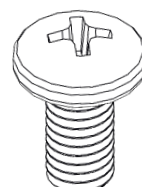
**Nylock Nut  
QTY - 8**



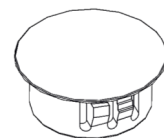
**Flat Washer  
QTY - 4**



**6-32 Screw  
QTY - 4**

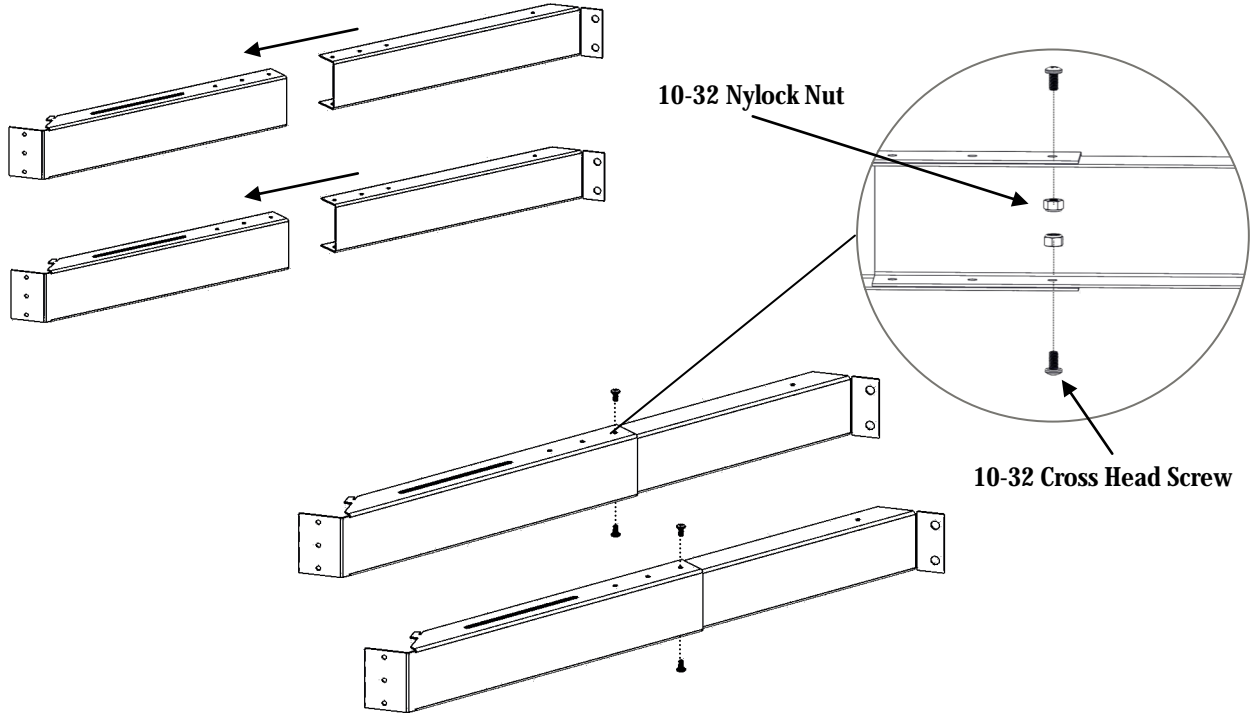


**10-32 Screw  
QTY - 14**

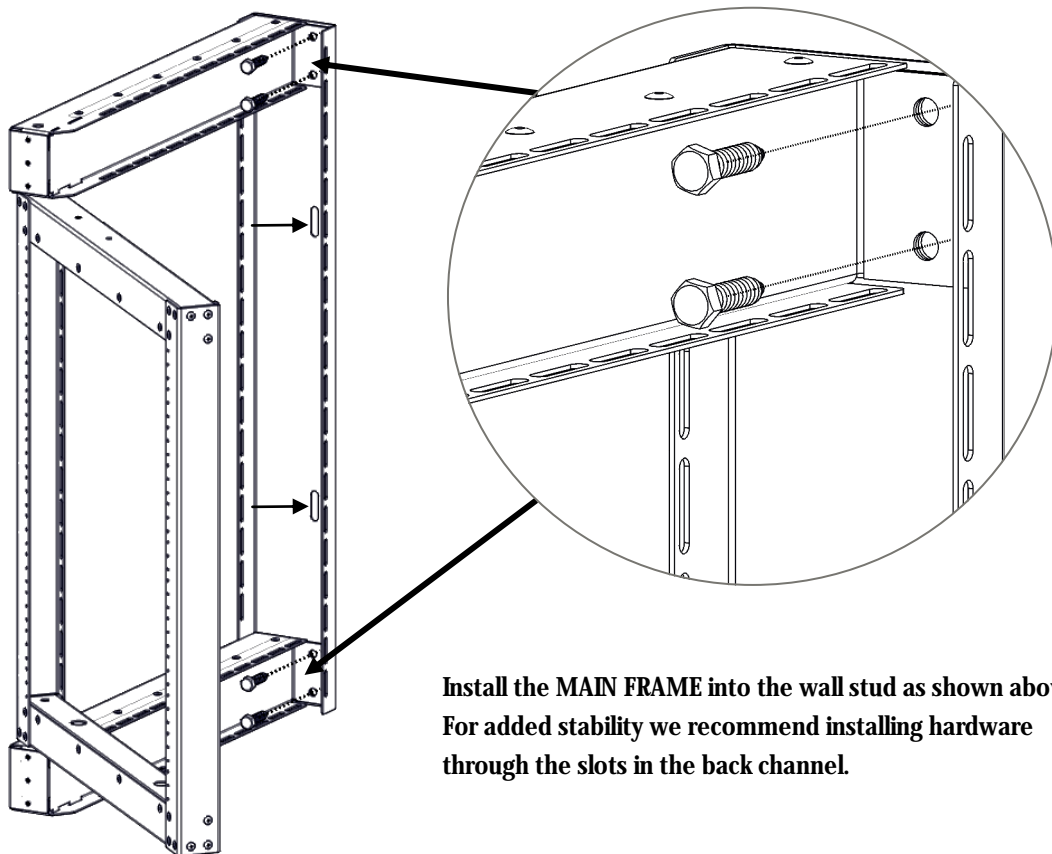


**Black Cap  
QTY - 4**

**Step 1:**

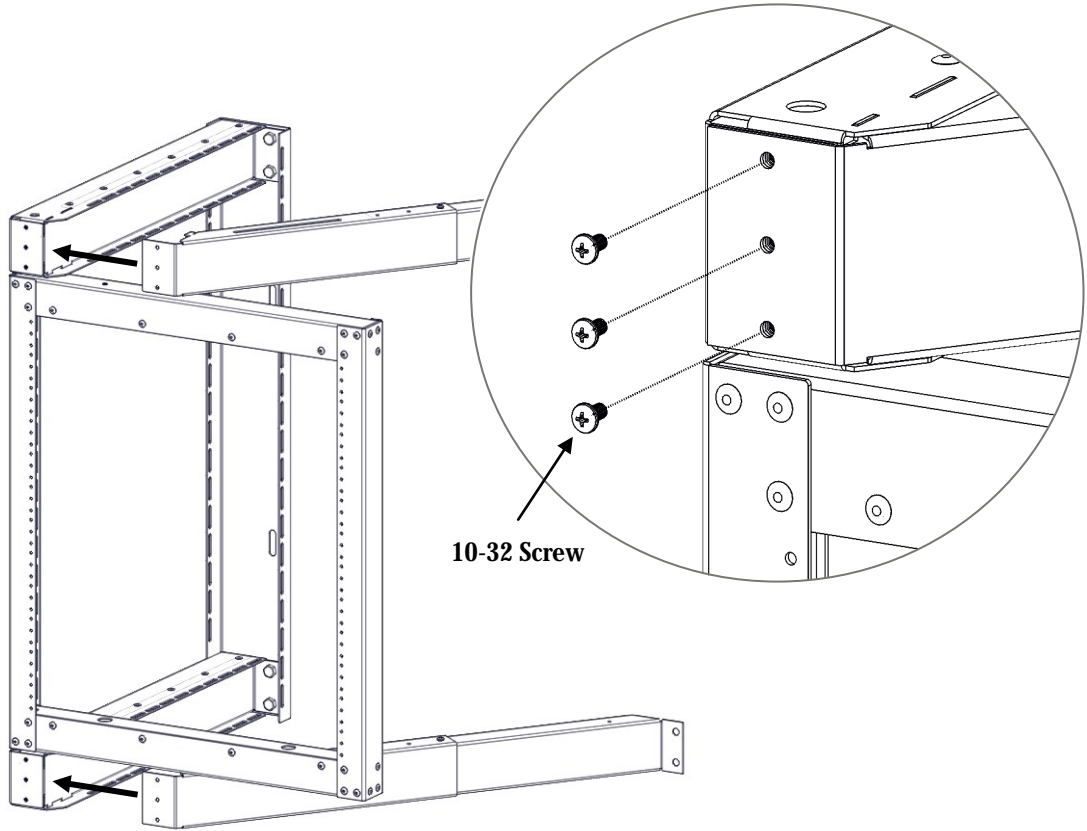


**Step 2:**

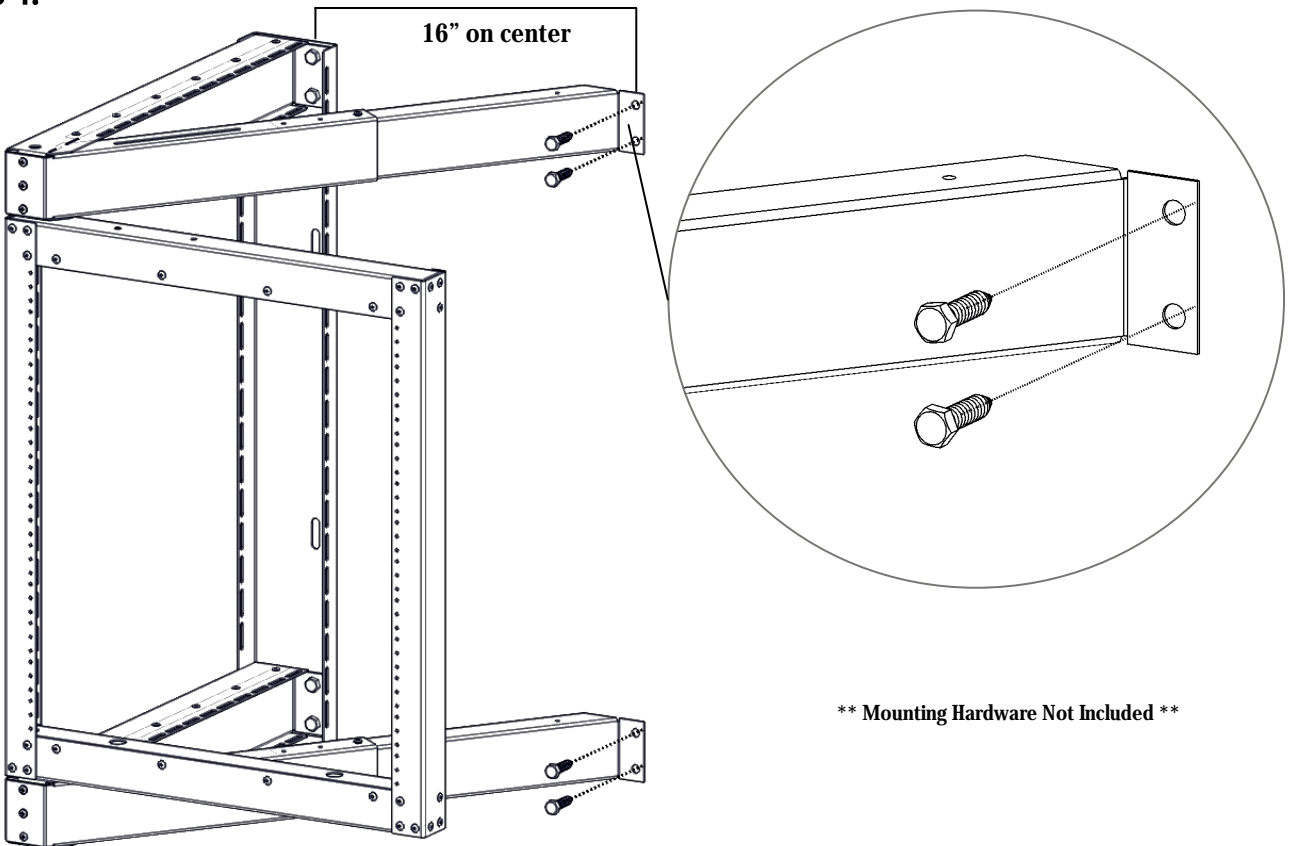


**\*\* Mounting Hardware Not Included \*\***

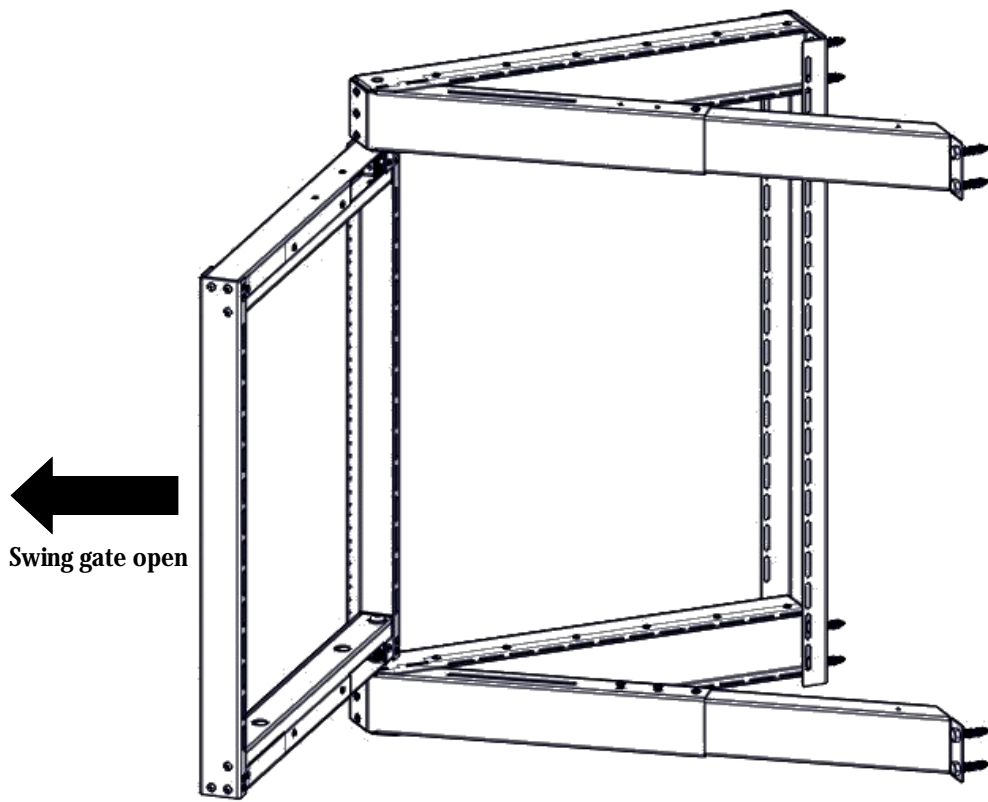
**Step 3:**



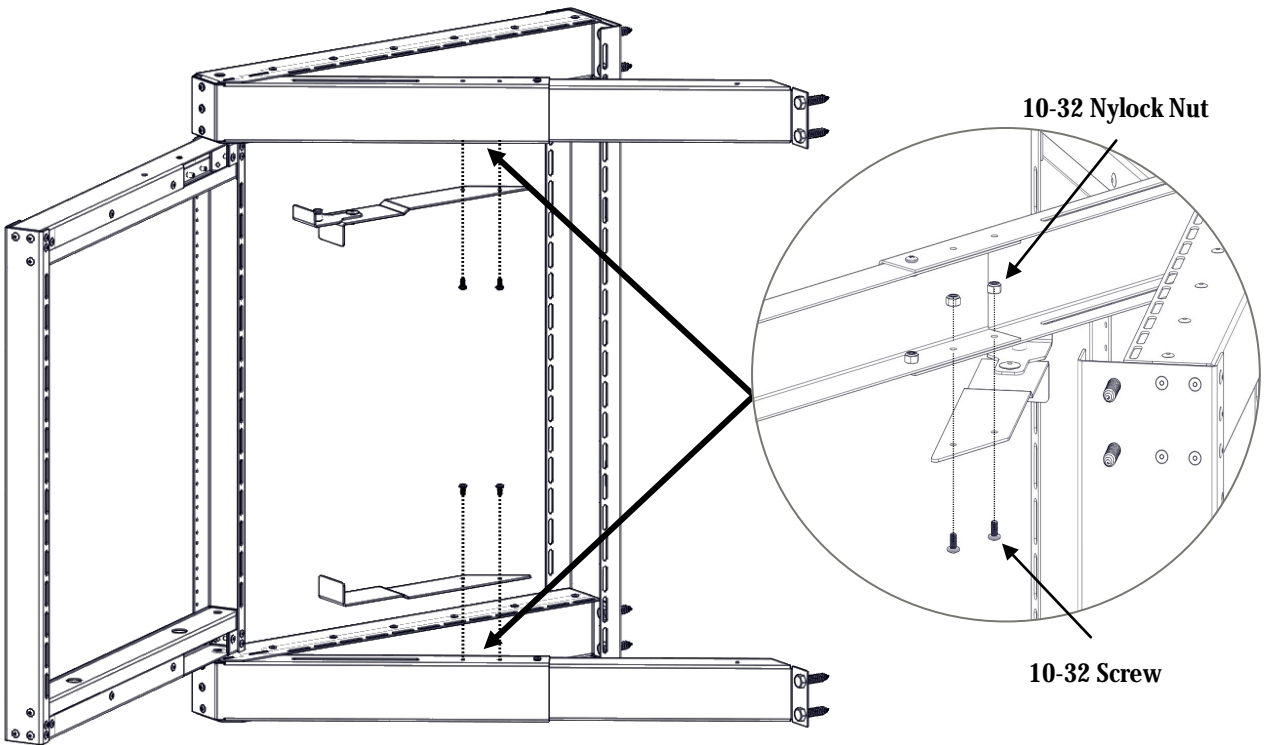
**Step 4:**



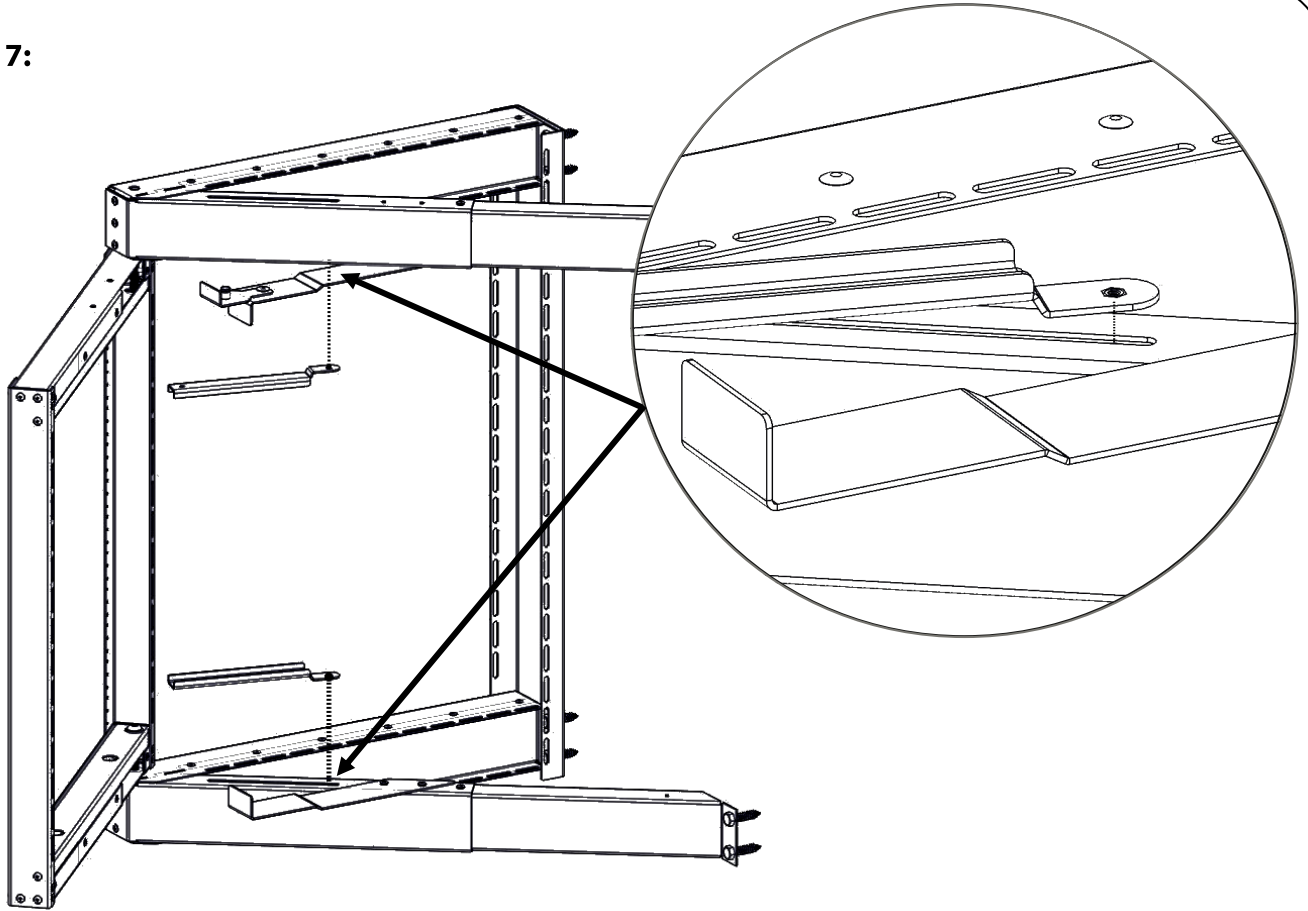
**Step 5:**



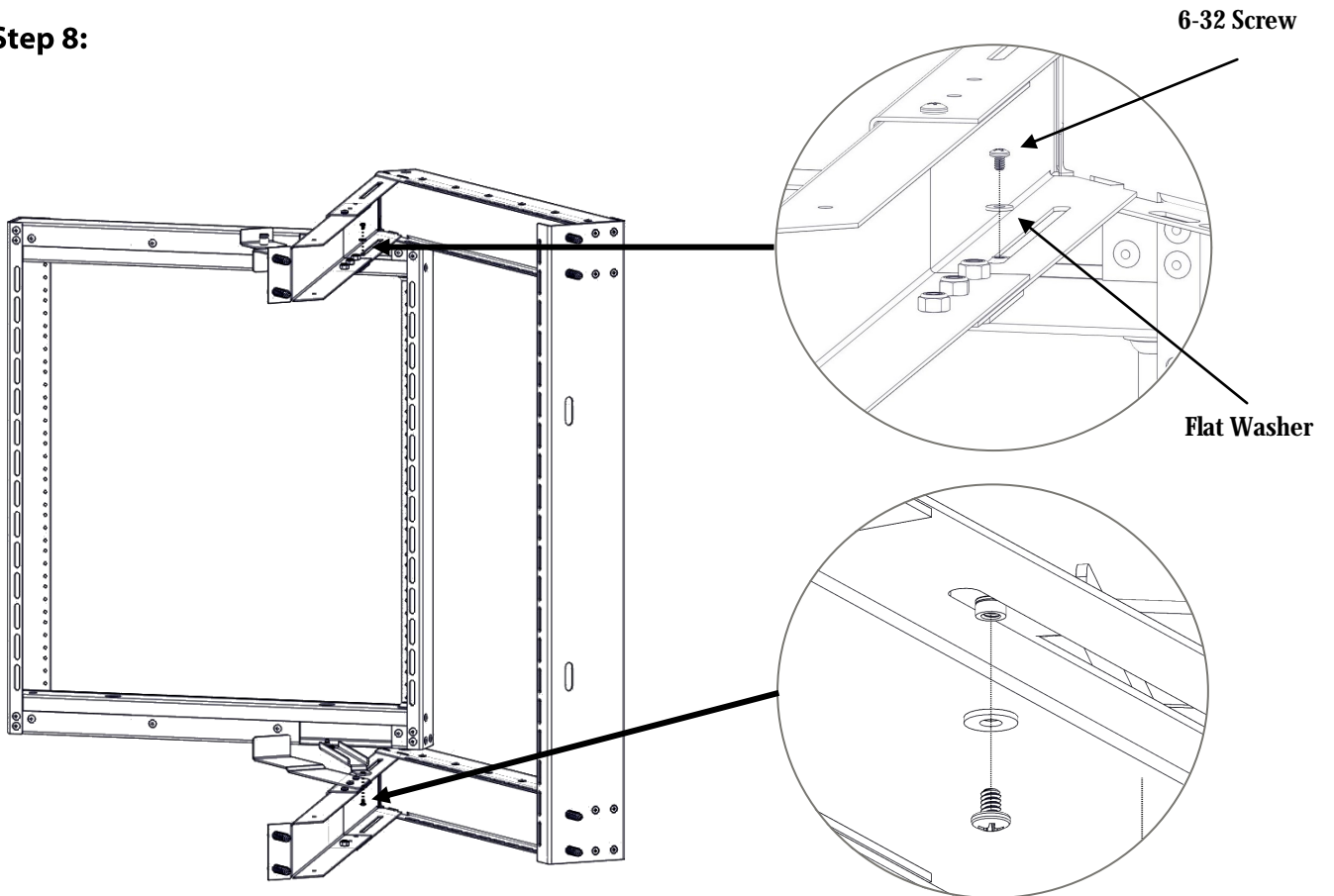
**Step 6:**



**Step 7:**

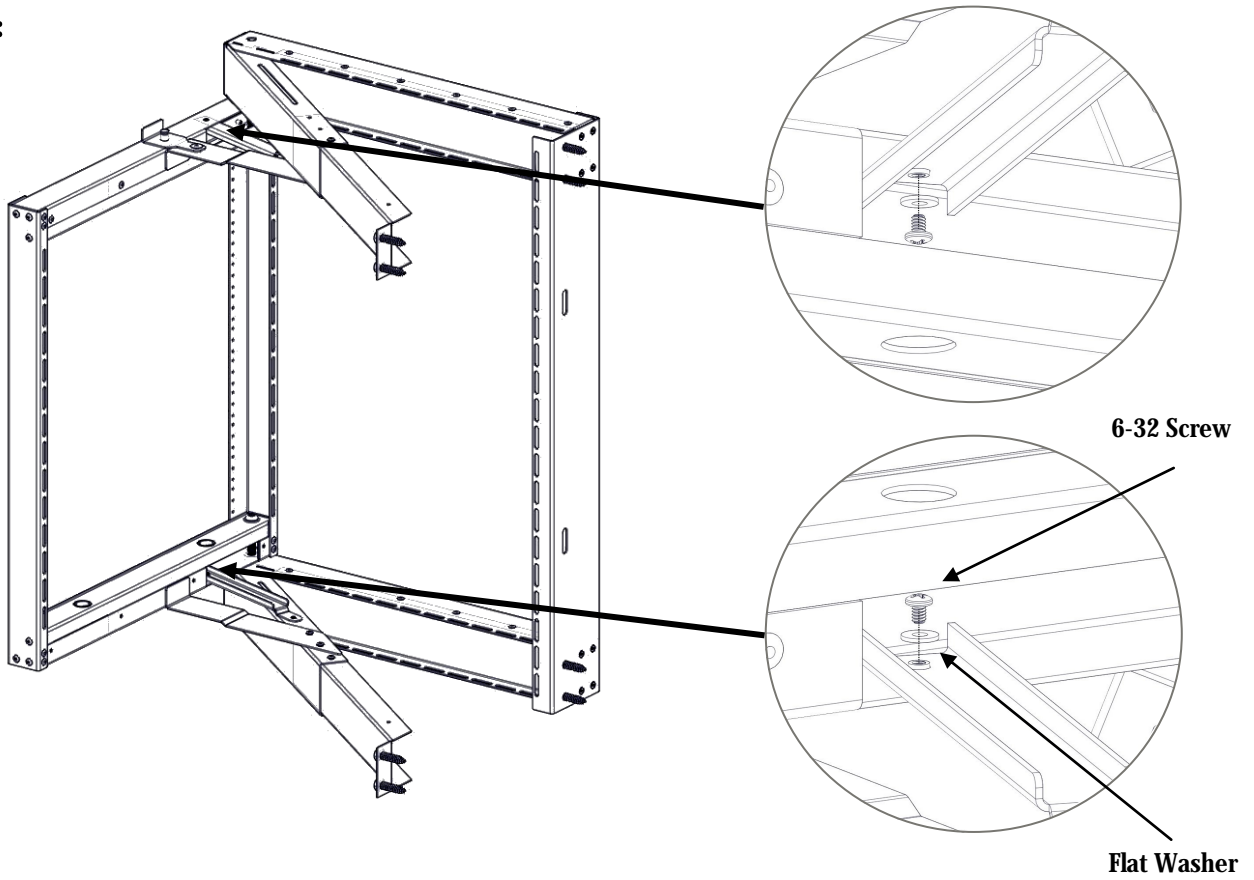


**Step 8:**



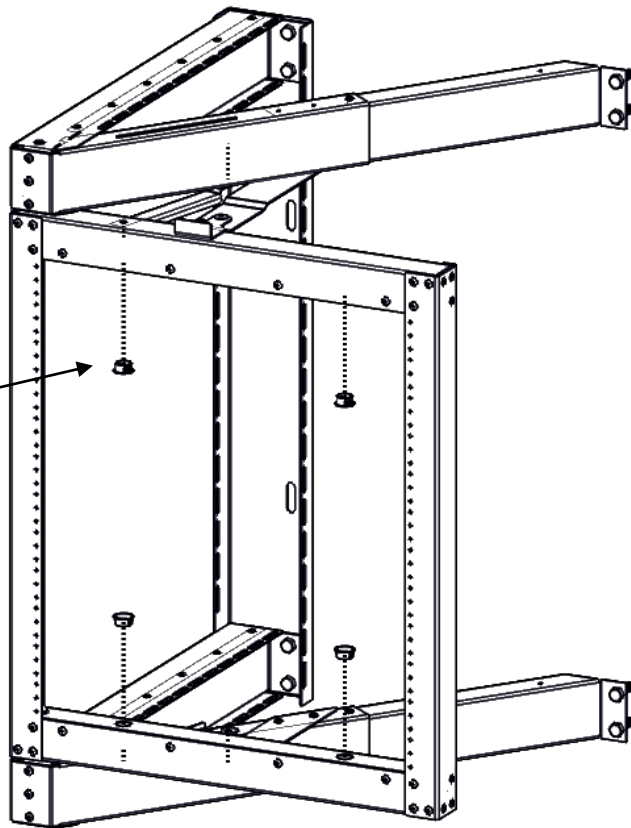
**Step 9:**

**Swing Gate  
Closed**



**Step 10:**

**3-4" Round Cap**



To latch and unlatch the gate:

