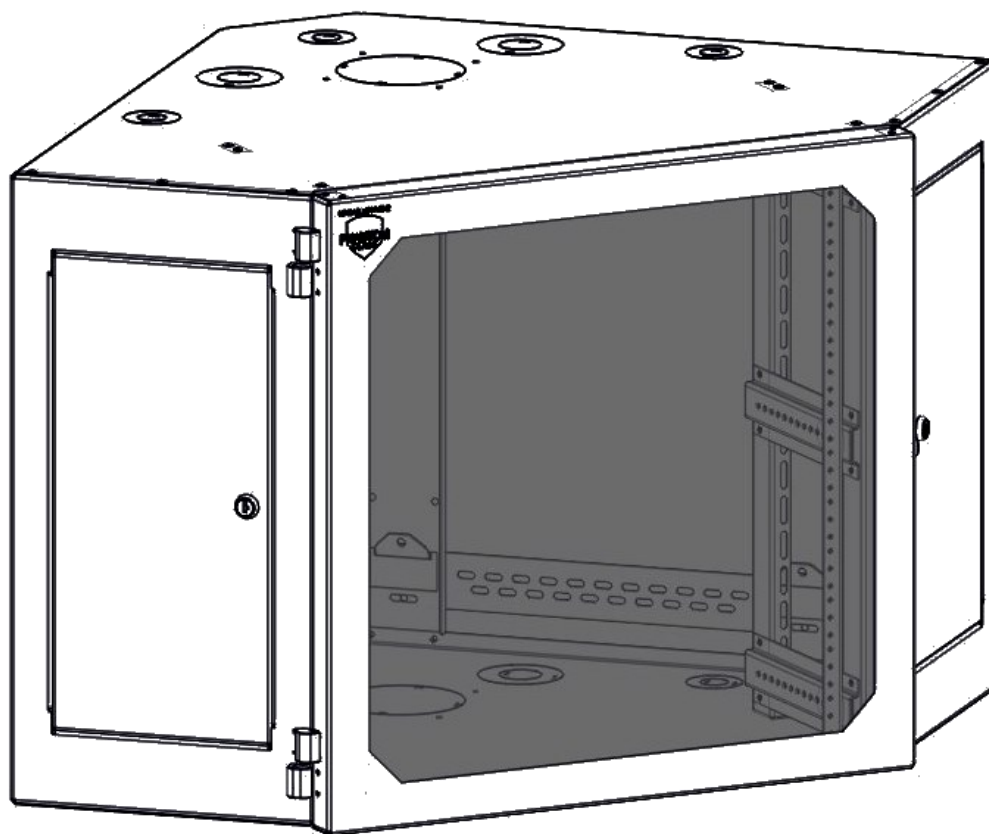


Installation Instructions

Corner Wall Mount Cabinet

Part Number: 1915-3-700-12

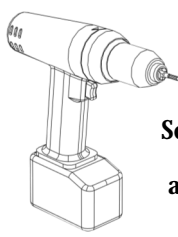


Information Support Concepts
2384 Highway 287 N.
Suite 208
Mansfield, TX 76063-9207

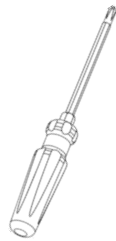
800-458-6255 U.S. Only
Fax (817) 842-9099
Local (817) 842-9090

www.serverrackoptions.com

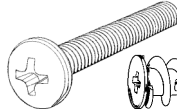
Tools/Hardware needed:



**Screw Driver
and/or Drill**



You may also need:

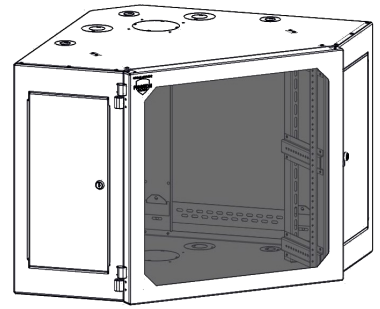


**Mounting screws
and anchors**

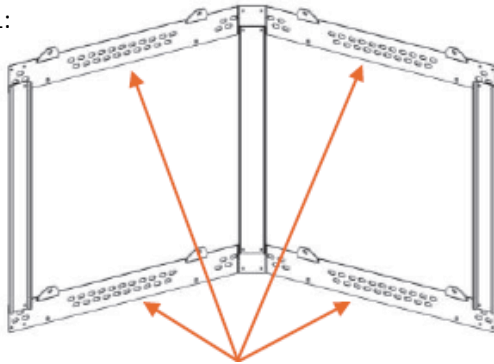
Mounting hardware is **NOT** included

What's in the box?

**Qty 1:
Corner Wall Mount
Cabinet**

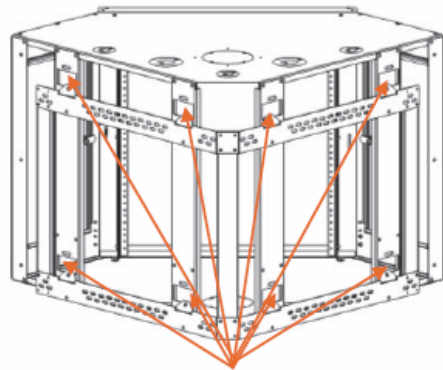


Step 1:



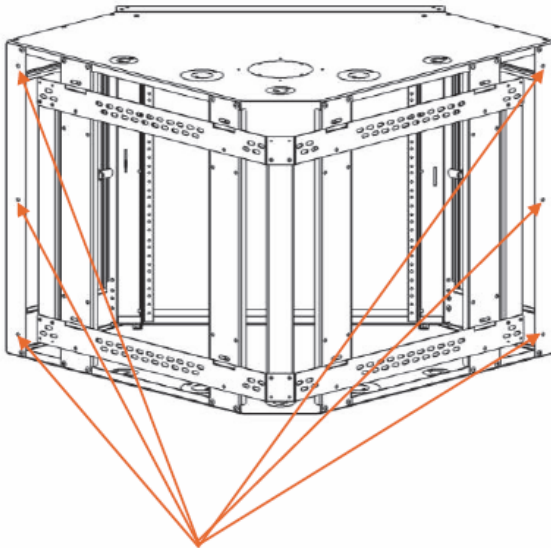
Remove mounting frame from wall mount cabinet. Turn mounting frame so that the eight beveled tabs face up. Position the mounting frame in corner and use the obround (oblong) holes to secure the mounting frame to the corner.

Step 2:



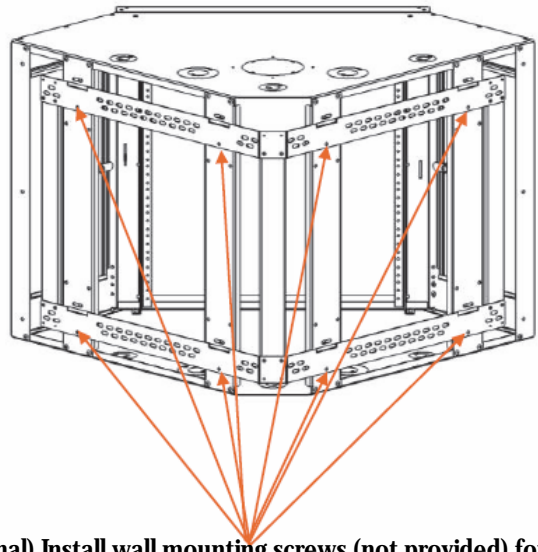
Once mounting frame is secured to corner, lift and lower the wall mount cabinet so that each of the eight (8) beveled tabs slide into the eight (8) slots in the back of the wall mount cabinet.

Step 3:



Install screws from the inside of the cabinet(not provided) in these six (6) locations **BEFORE installing any equipment in the cabinet.**

Step 4:



(Optional) Install wall mounting screws (not provided) for additional security in these eight (8) locations to secure the cabinet to the mounting frame.