

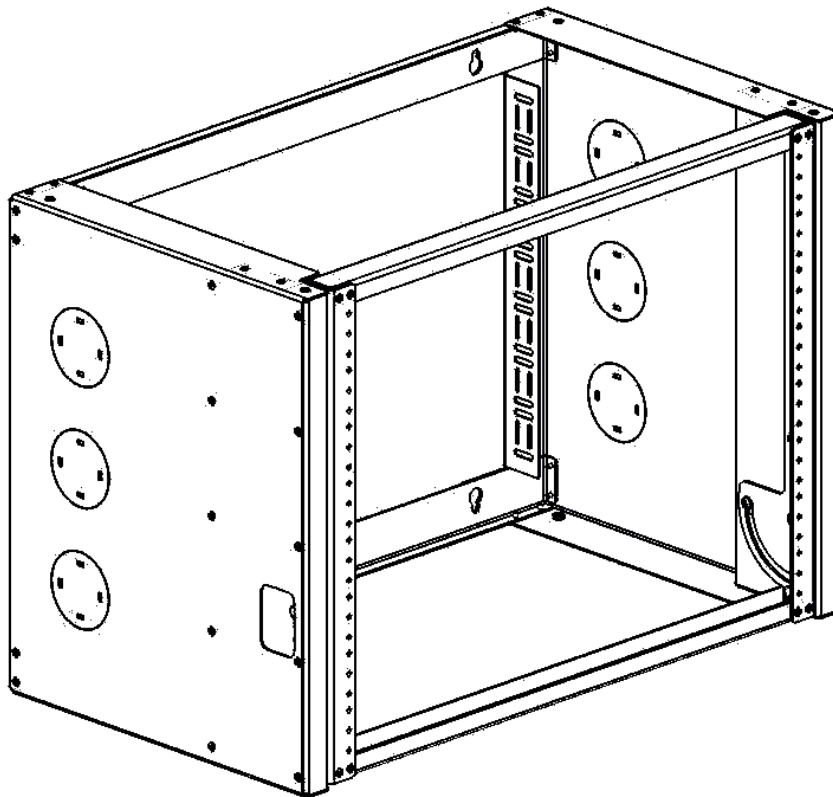
Installation / Assembly Instructions

Pivot Frame Wall Mount Rack

Part Numbers:

4U - 1915-3-400-04

8U - 1915-3-400-08

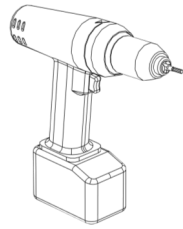
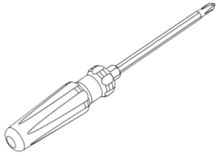


Information Support Concepts
2384 Highway 287 N.
Suite 208
Mansfield, TX 76063-9207

800-458-6255 U.S. Only
Fax (817) 842-9099
Local (817) 842-9090

www.serverrackoptions.com

Tools needed:



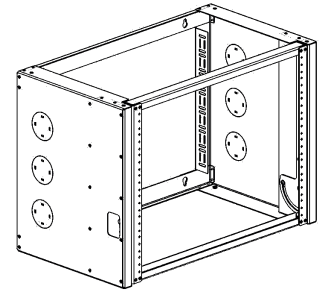
Screwdriver or Drill

What's in the box?

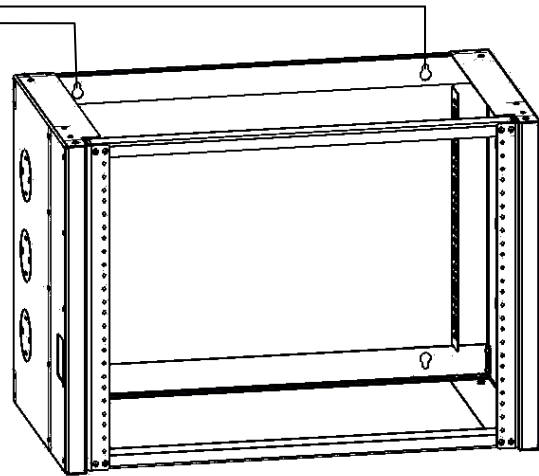
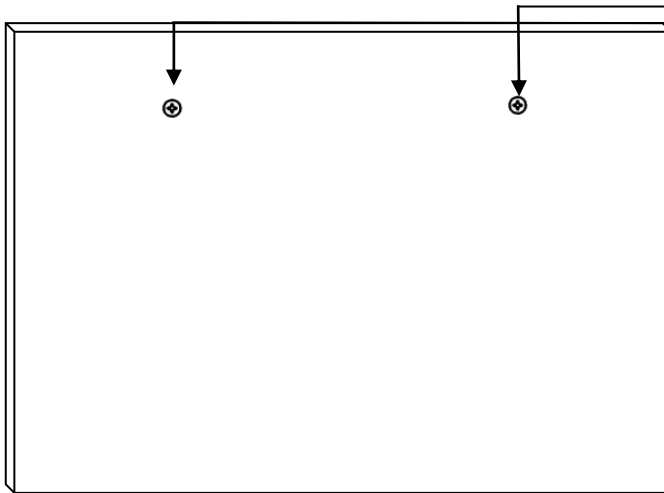
**Qty 1—Pivot Frame Wall
Mount Rack**

**Qty 12—10-32 Rack
Screws**

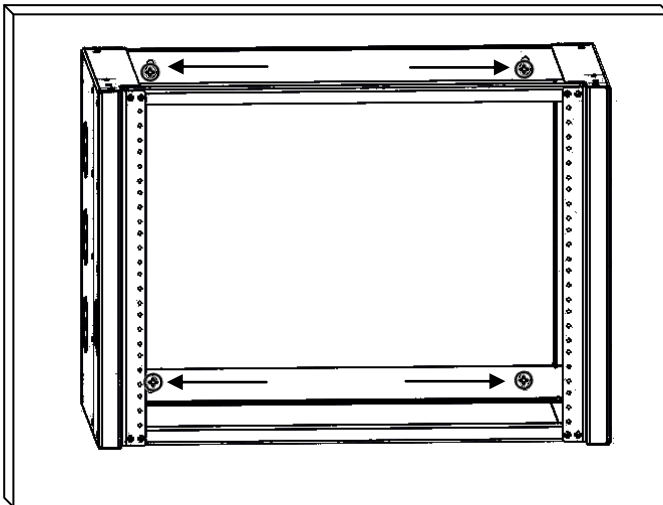
**** You will need to supply your own mounting
hardware**



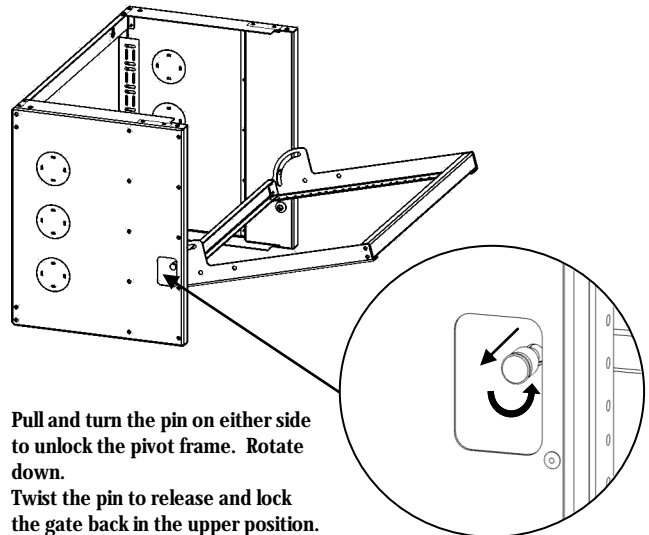
Step 1 - Mounting to the wall



Step 2 - Securing to the wall



How to release the pivot frame:



**Pull and turn the pin on either side
to unlock the pivot frame. Rotate
down.
Twist the pin to release and lock
the gate back in the upper position.**