

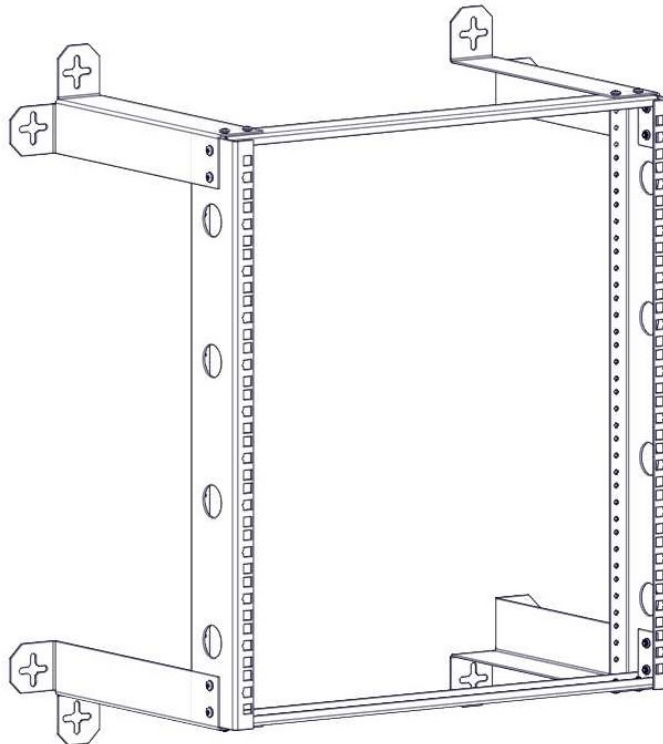
Assembly Instructions

V-Line Wall Mount Racks

Part Numbers:

12" Depth: 1915-3-300-12, 1915-3-300-16, 1915-3-300-21

18" Depth: 1915-3-301-12, 1915-3-301-16, 1915-3-301-21



Information Support Concepts
2384 Highway 287 N.
Suite 208
Mansfield, TX 76063-9207

800-458-6255 U.S. Only
Fax (817) 842-9099
Local (817) 842-9090

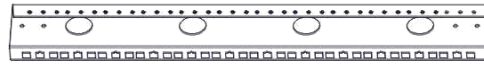
www.serverrackoptions.com

Tools Required:

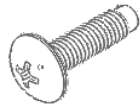
Phillip's Head Screwdriver



What's in the box?



QTY 2: Rack Rails

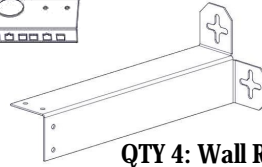


QTY 24: 10-32
Rack Screws

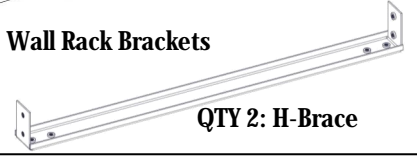


QTY 24: 10-32
Cage Nuts

QTY 16: Cross Head Screws

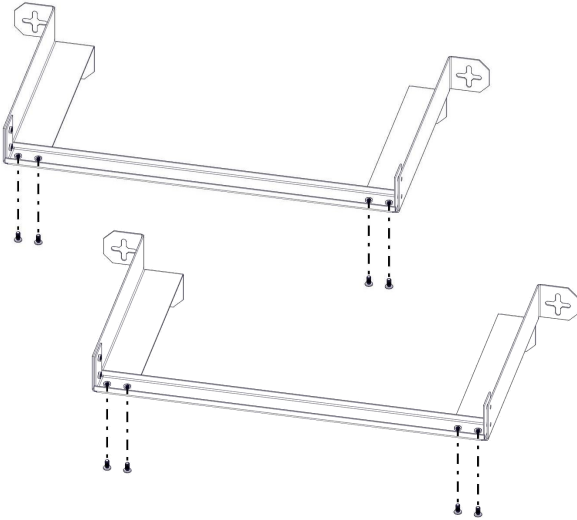


QTY 4: Wall Rack Brackets

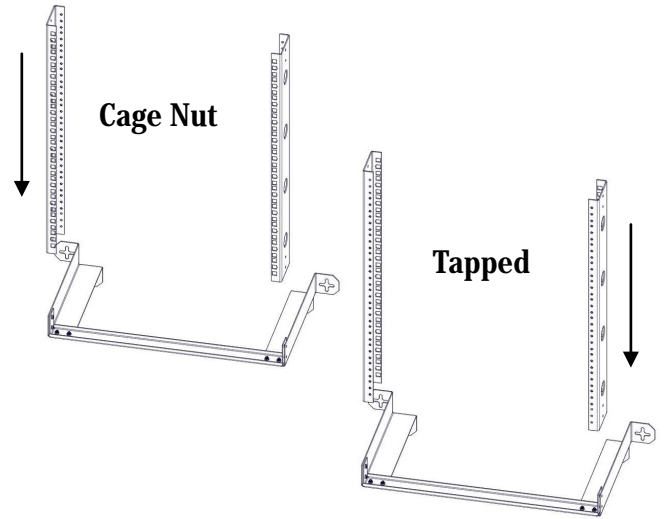


QTY 2: H-Brace

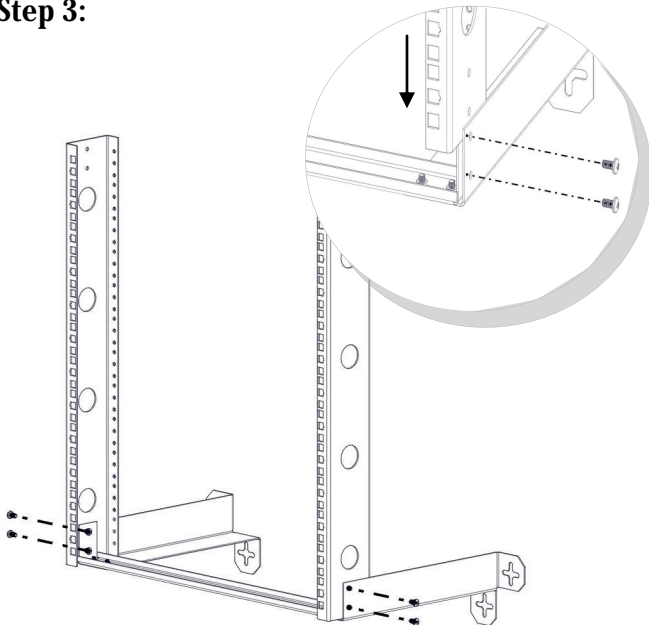
Step 1:



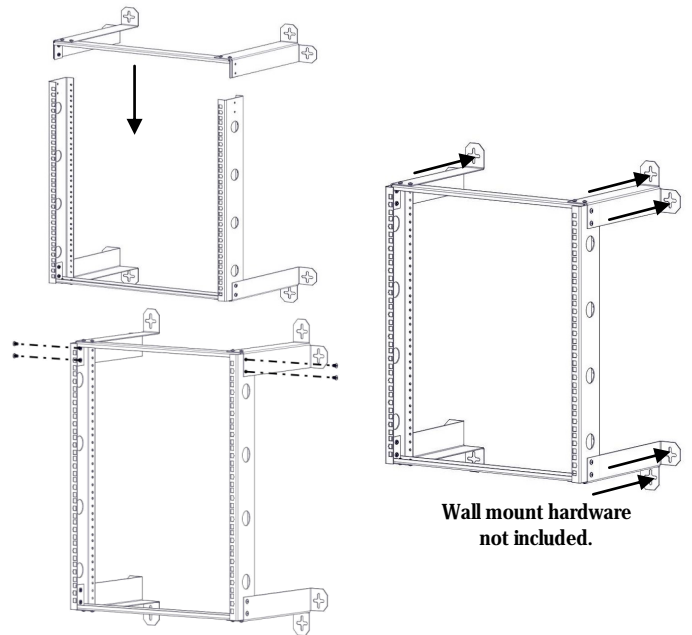
Step 2:



Step 3:



Step 4:



Wall mount hardware
not included.