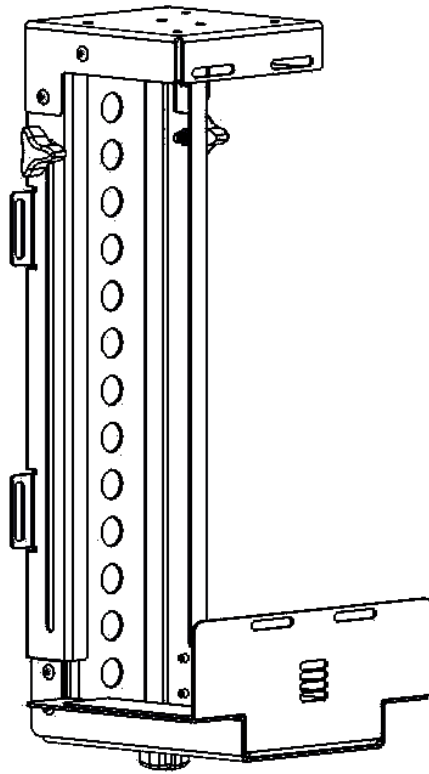


Assembly Instructions

Adjustable CPU Holder

Part Number: 1915-1-500-00

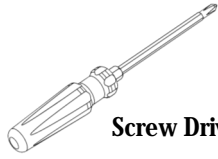


Information Support Concepts
2384 Highway 287 N.
Suite 208
Mansfield, TX 76063-9207

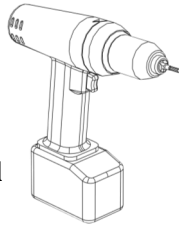
800-458-6255 U.S. Only
Fax (817) 842-9099
Local (817) 842-9090

www.serverrackoptions.com

Tools needed:



Screw Driver or Drill



What's in the box?

Qty 1—Adjustable CPU Holder

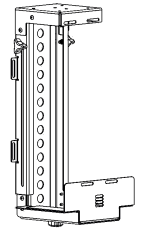
Qty 2—Hook and Loop Straps



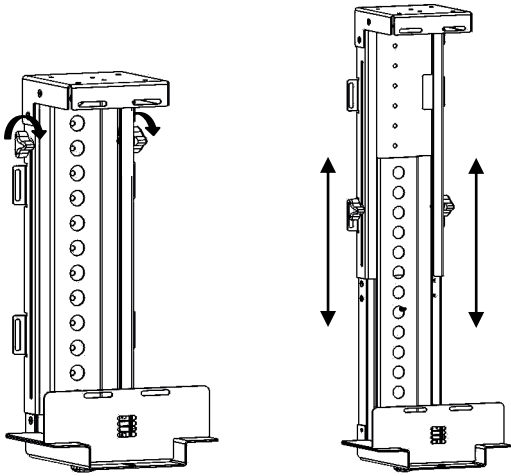
Qty 4—3/4" Screws



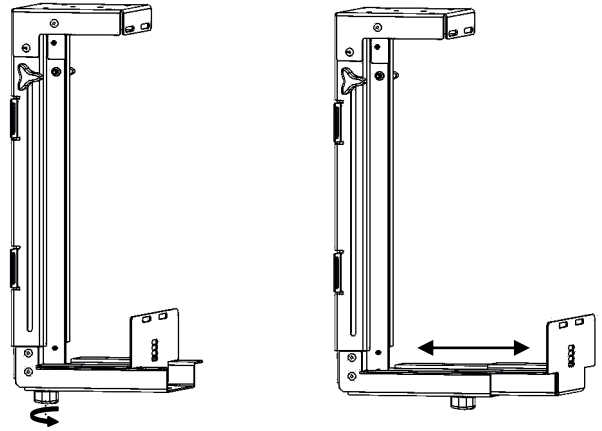
Qty 2—2" Screws



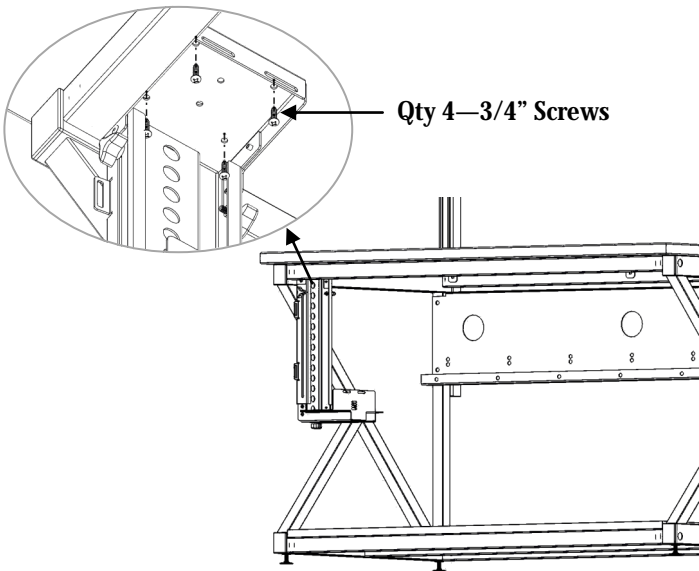
Adjusting the Height:



Adjusting the Width:



Securing under a work surface:



Securing to the side of a desk or wall:

