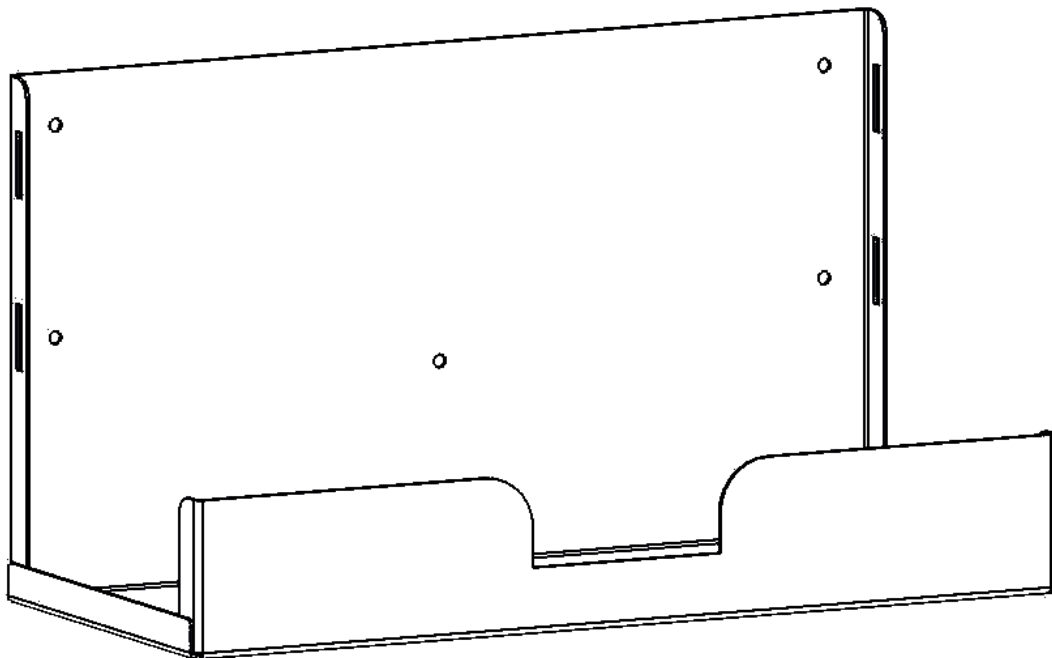


Assembly Instructions

Wall Mount CPU Bracket

Part Numbers: 1915-1-300-00, 1915-1-400-00

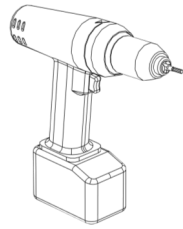
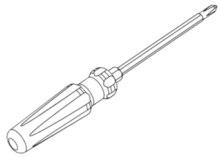


Information Support Concepts
2384 Highway 287 N.
Suite 208
Mansfield, TX 76063-9207

800-458-6255 U.S. Only
Fax (817) 842-9099
Local (817) 842-9090

www.serverrackoptions.com

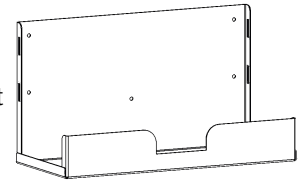
Tools needed:



Screw Driver or Drill

What's in the box?

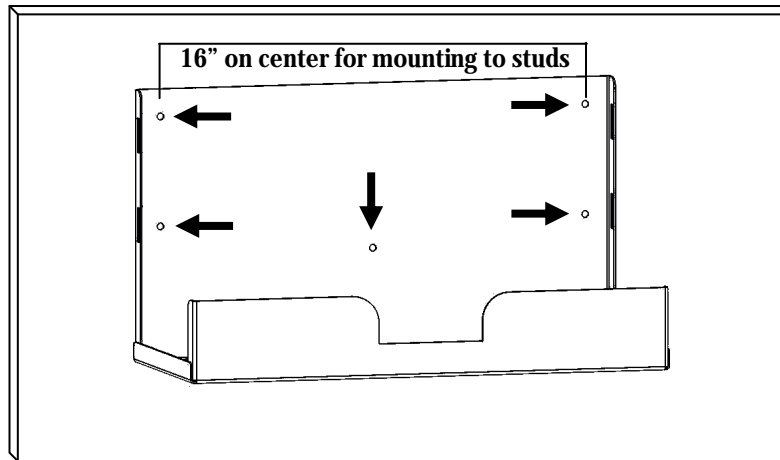
**Qty 1—Wall Mount
CPU Bracket**



**Qty 1—50" Hook and
Loop Strap**

**** You will need to supply your own mounting
hardware.**

Step 1



Step 2

