

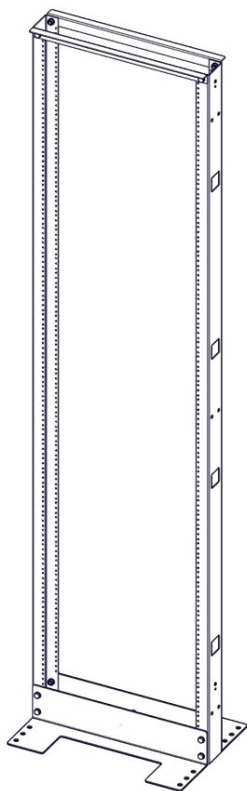
Assembly Instructions

2-Post Relay Racks

Part Numbers:

1911-3-200-24

1911-3-200-45

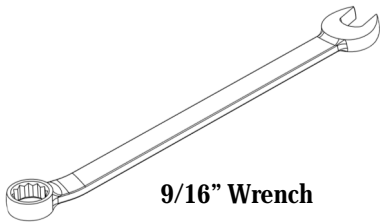


Information Support Concepts
2384 Highway 287 N.
Suite 208
Mansfield, TX 76063-9207

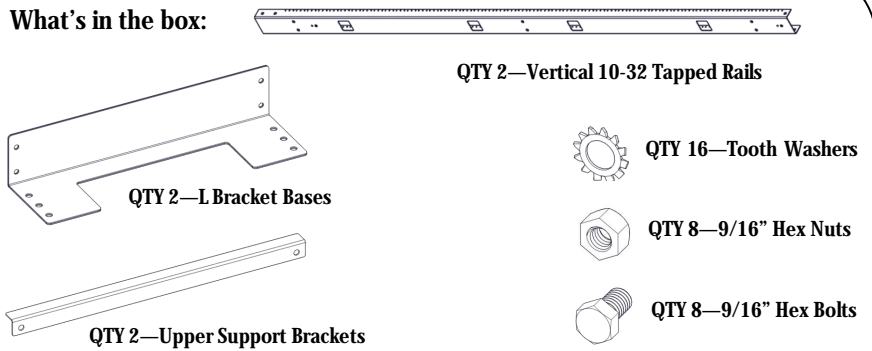
800-458-6255 U.S. Only
Fax (817) 842-9099
Local (817) 842-9090

www.serverrackoptions.com

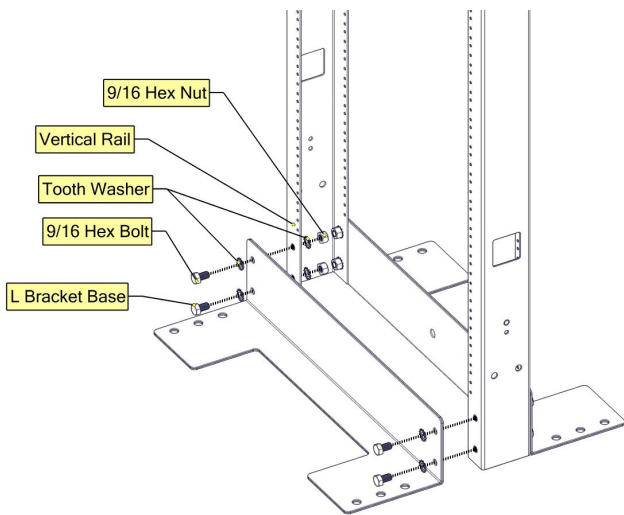
Tools needed:



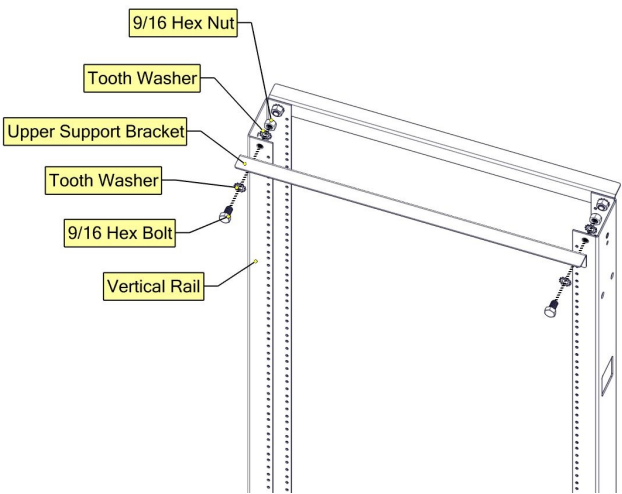
What's in the box:



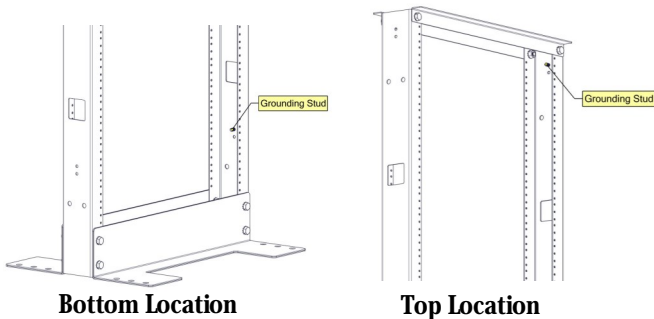
Step 1 : Assemble the L Bracket Bases to the Vertical Rails as shown below. Do this for both sides.



Step 2 : Assemble the Upper Support Brackets to the top of the Vertical Rails as shown below. Do this for both sides.



Grounding Studs: Note that there are 1/4-20 Grounding Studs on the top and bottom of each Vertical Rail. See placement below.



Rack Screws:

For your convenience, twenty five (25) 10-32 rack screws have been provided to install rackmount equipment into your new relay rack. If you should need additional hardware please contact us

