

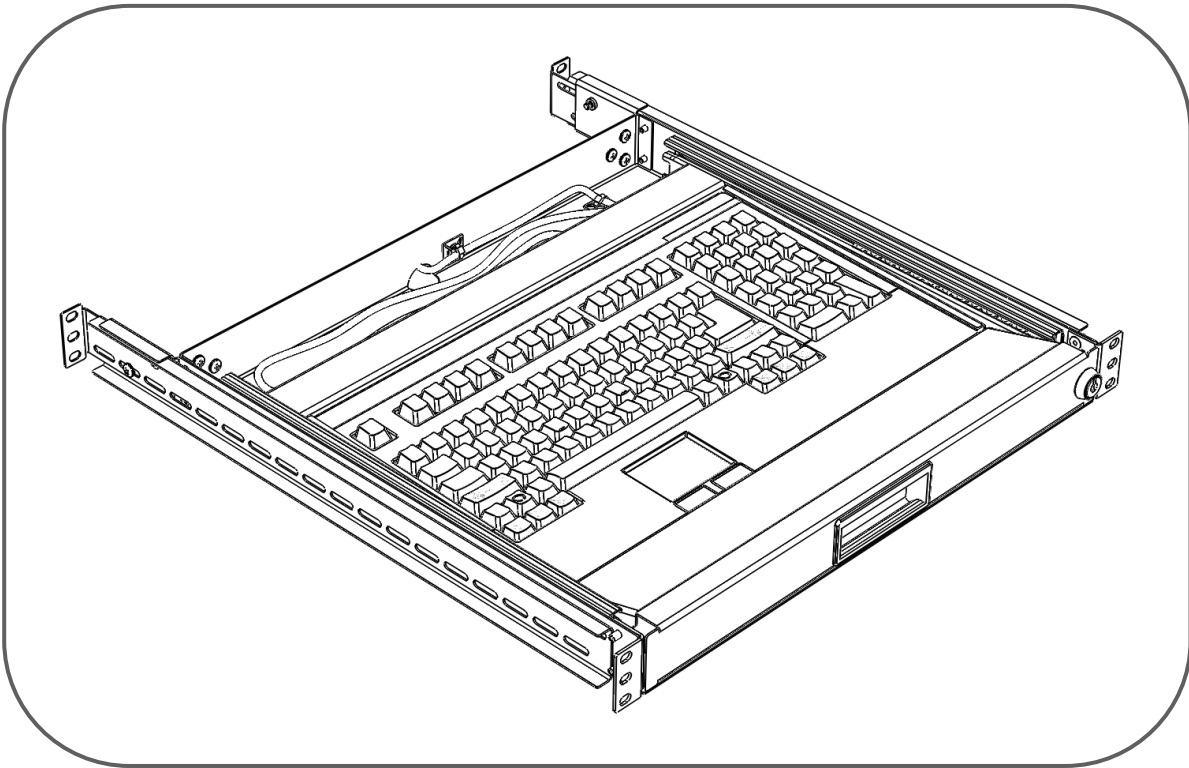
# Rackmount Keyboard Tray

## Part Number(s):

**1910-3-002-01 (2-Post Rackmount Keyboard Tray)**

**1910-3-003-01 (4-Post Rackmount Keyboard Tray)**

**1910-3-004-01 (Rackmount Keyboard Tray Extension Kit)**



Information Support Concepts  
2384 Highway 287 N.  
Suite 208  
Mansfield, TX 76063-9207

800-458-6255 U.S. Only  
Fax (817) 842-9099  
Local (817) 842-9090

[www.serverrackoptions.com](http://www.serverrackoptions.com)

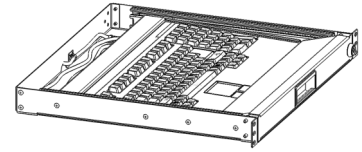
## What is in the box:

Which version did you purchase?

### 2-Post Rackmount Keyboard Tray

(Part Number: 1910-3-002-01)

QTY 1  
2-Post Rackmount  
Keyboard Tray Assembly



### 4-Post Rackmount Keyboard Tray

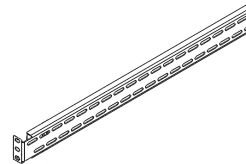
(Part Number: 1910-3-003-01)



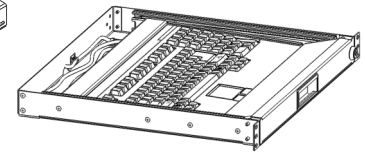
QTY 10  
10-32 Cross  
Head Screws



QTY 2  
Extension  
L Brackets



QTY 2  
Extension Rails



QTY 1  
2-Post Rackmount  
Keyboard Tray Assembly

### Rackmount Keyboard Tray Extension Kit

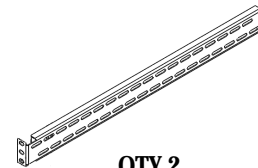
(Part Number: 1910-3-004-01)



QTY 10  
10-32 Cross  
Head Screws



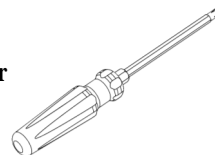
QTY 2  
Extension  
L Brackets



QTY 2  
Extension Rails

## Tools Needed:

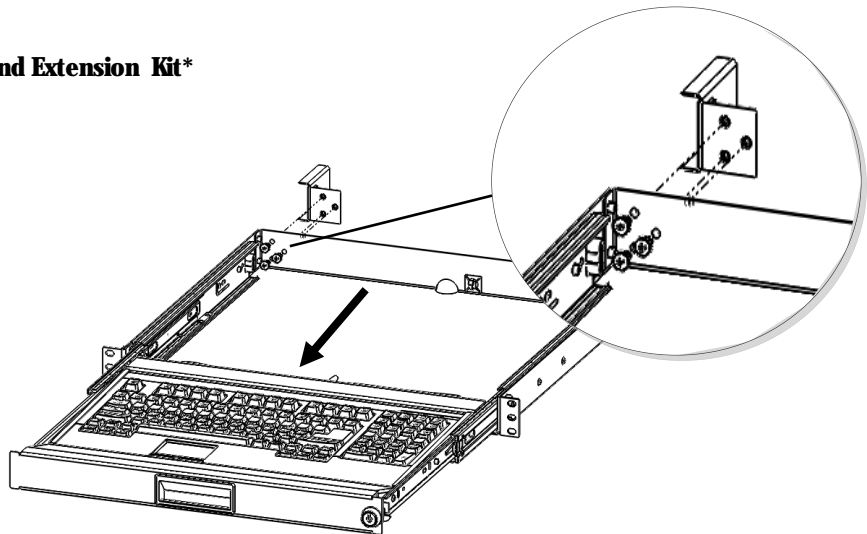
Screw Driver



## Step 1 - Attaching the 4-Post Extension L Brackets

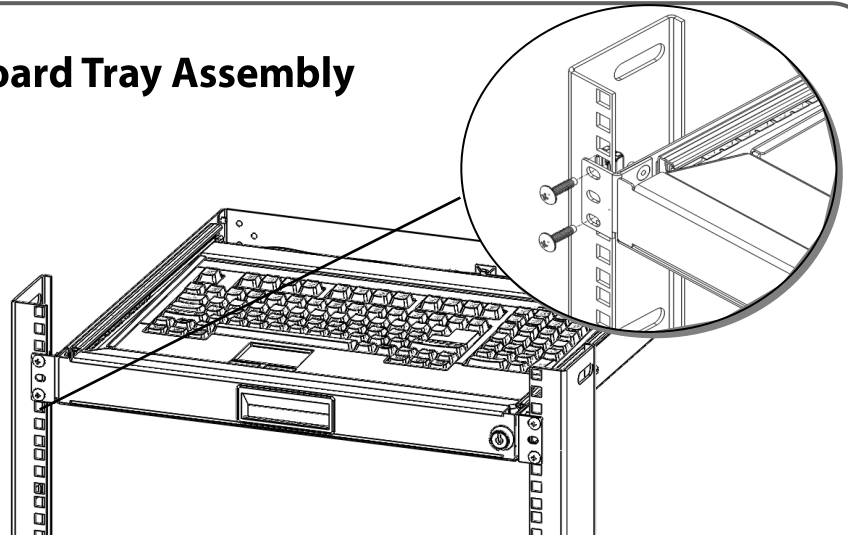
**\*Only for 4-Post Rackmount Keyboard Tray and Extension Kit\***

- Pull the keyboard forward to provide more room in the back of the tray.
- Using the included 10-32 Cross Head Screws, secure the Extension L Bracket to the rear of the keyboard tray as shown.
- Repeat on the other side.



## Step 2 - Mounting the Keyboard Tray Assembly

- a) Using rack screws (not included) mount the Keyboard Tray on to your front rack rails as shown
- b) For the 2-Post Keyboard Tray this completes the assembly.
- c) For the 4-Post Keyboard Tray and the Extension Kit please continue to Step 3.

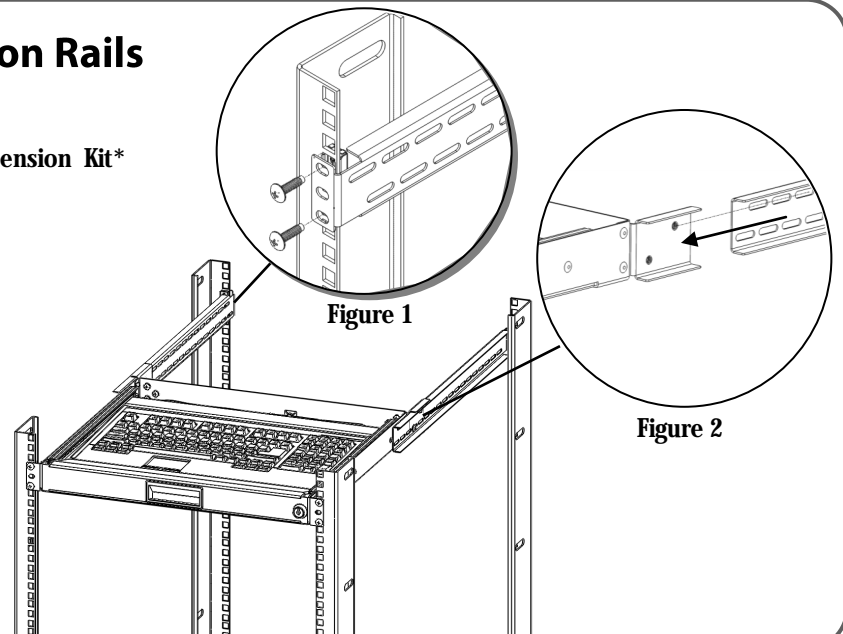


\*compatible with both cage nut and tapped style rails

## Step 3 - Installing the Extension Rails to the Rear Rails

\*Only for 4-Post Rackmount Keyboard Tray and Extension Kit\*

- a) Attach the Extension Rails to the rear rack rails using rack screws show in Figure 1.(not included)
- b) Please note the Extension Rails will slide inside the Extension L Brackets as shown in Figure 2.



## Step 4 - Secure Extension Rails to Extension L Brack-

\*Only for 4-Post Rackmount Keyboard Tray and Extension Kit

- a) Secure the Extension Rails to the Extension L Brackets (Figure 1) using the 10-32 Cross Head Screws provided.

