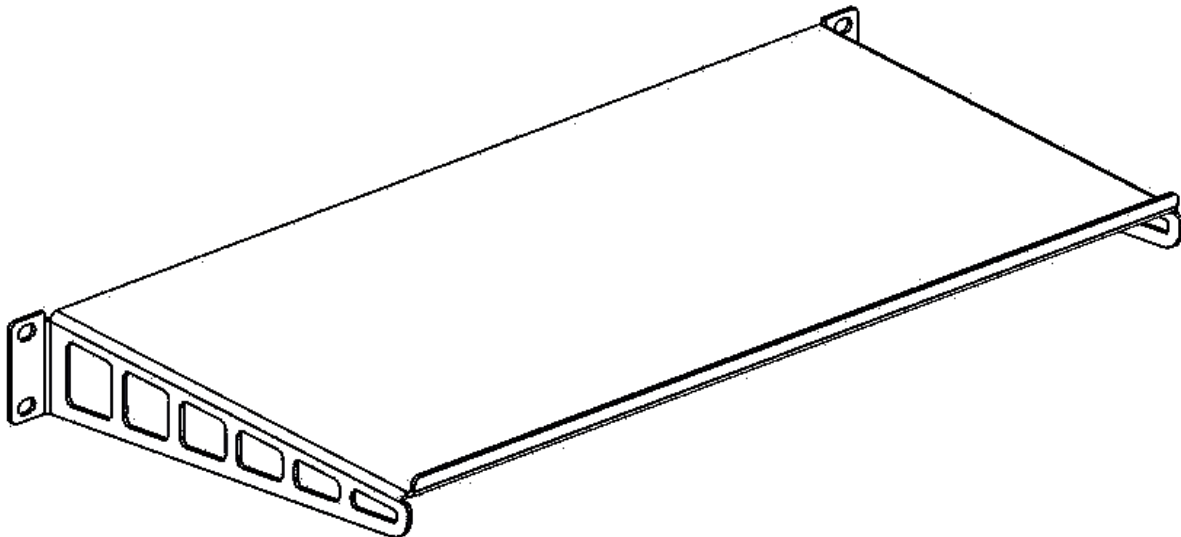


# Assembly Instructions

# Stationary Keyboard Tray

**Part Number: 1910-1-001-01**



Information Support Concepts  
2384 Highway 287 N.  
Suite 208  
Mansfield, TX 76063-9207

800-458-6255 U.S. Only  
Fax (817) 842-9099  
Local (817) 842-9090

[www.serverrackoptions.com](http://www.serverrackoptions.com)

**Tools Needed:**



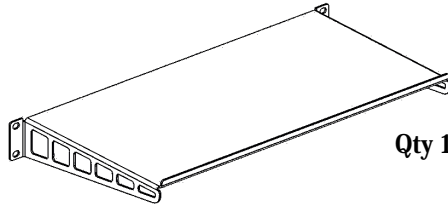
**Screw Driver**

**You may also need:**



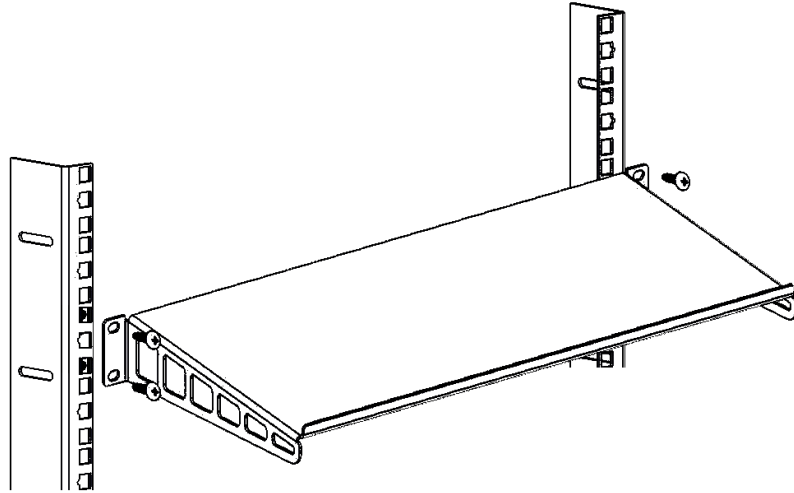
**Rack Screws and Cage Nuts**

**What's in the box:**



**Qty 1—1U Stationary Keyboard Tray**

**Step 1:**



**Step 2:**

