

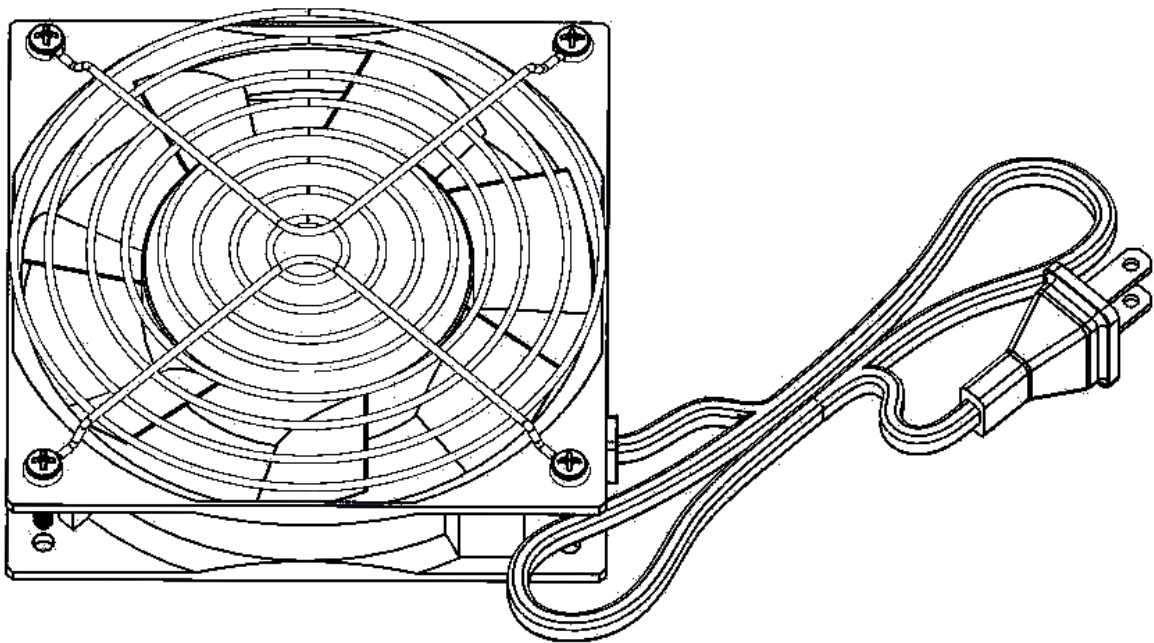
Assembly Instructions

Fan Assembly Kits

Part Numbers:

1908-3-001-01

1908-4-001-01

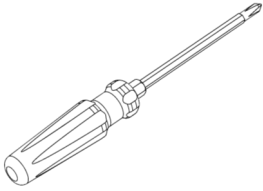


Information Support Concepts
2384 Highway 287 N.
Suite 208
Mansfield, TX 76063-9207

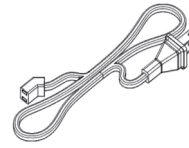
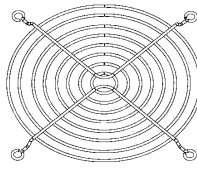
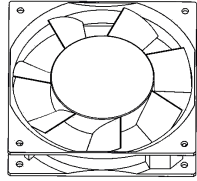
800-458-6255 U.S. Only
Fax (817) 842-9099
Local (817) 842-9090

www.serverrackoptions.com

Tools Needed:



What's in the box:



QTY 4: 10mm Pan Head Screw
*No nut required, screws right into fan



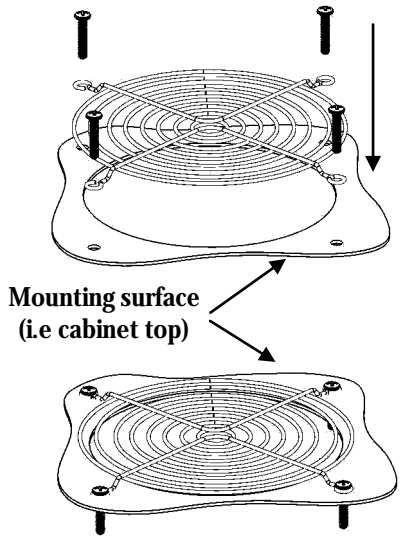
QTY 4: 6-32 3/4"
Cross Head Screw



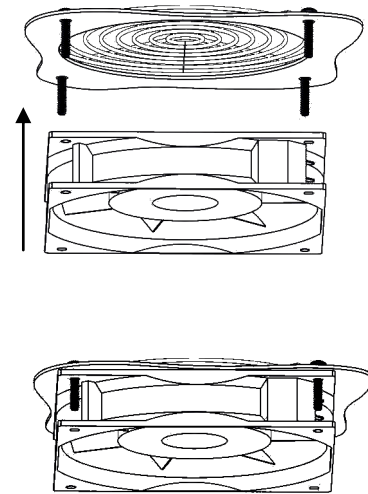
QTY 4: 6-32 Nut

QTY 1: 120 mm Fan **QTY 1: Fan Guard** **QTY 1: Power Cord**

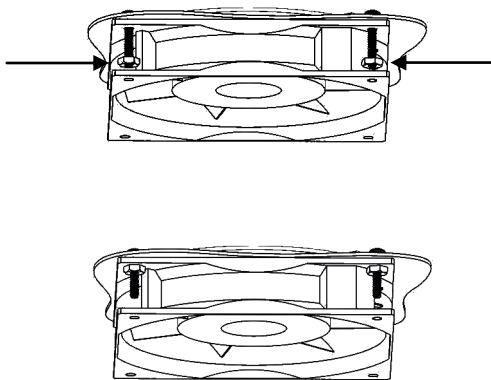
Step 1:



Step 2:



Step 3:



Step 4:

