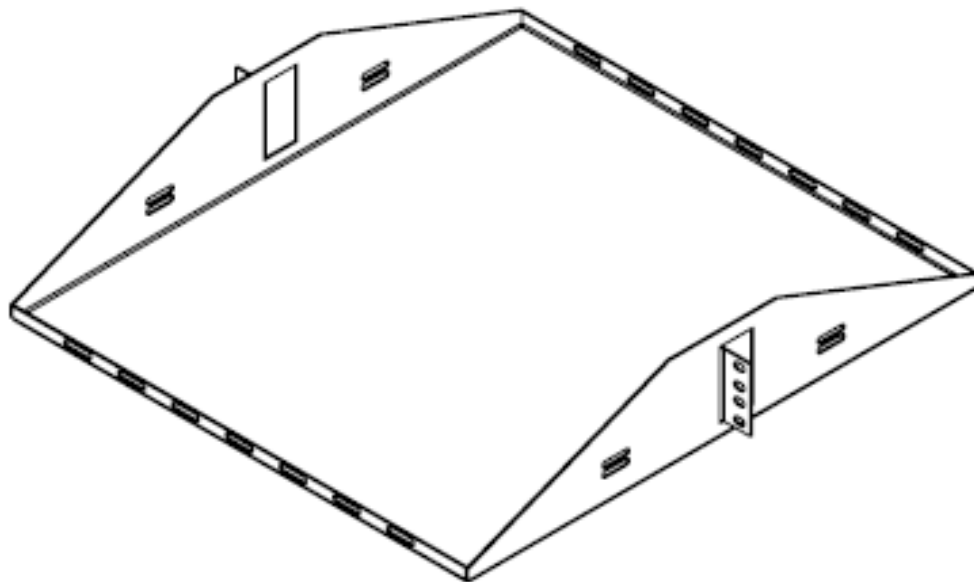


## Assembly Instructions

### 2U Center Mount Shelves

**Part Numbers: 1907-3-001-02, 1907-3-000-02**

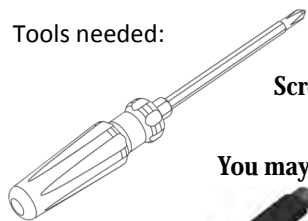


Information Support Concepts  
2384 Highway 287 N.  
Suite 208  
Mansfield, TX 76063-9207

800-458-6255 U.S. Only  
Fax (817) 842-9099  
Local (817) 842-9090

[www.serverrackoptions.com](http://www.serverrackoptions.com)

Tools needed:



**Screwdriver**

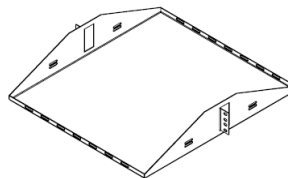
You may also need:



**Rack Screws and Cage Nuts  
(not included)**

What's in the box?

**QTY 1—2U Center Mount Shelf (Solid or Vented)**

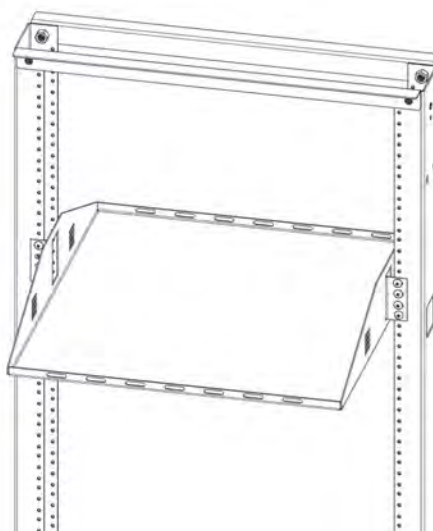
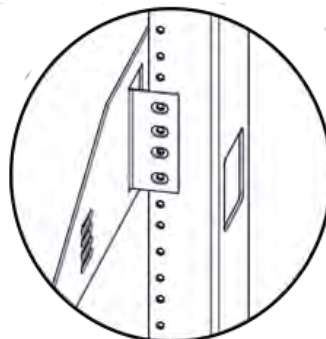
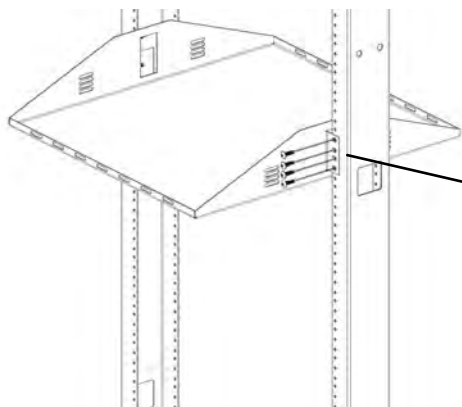


**How to install:**

Use two U spaces.

Four screws must be installed on each side to maintain the maximum weight capacity.

When installing the screws, the four holes on the shelf's flange/ear will completely align over the U space holes. If they do not align, you're not in the correct U spaces holes.



**\*2-Post Rack Sold Separately**