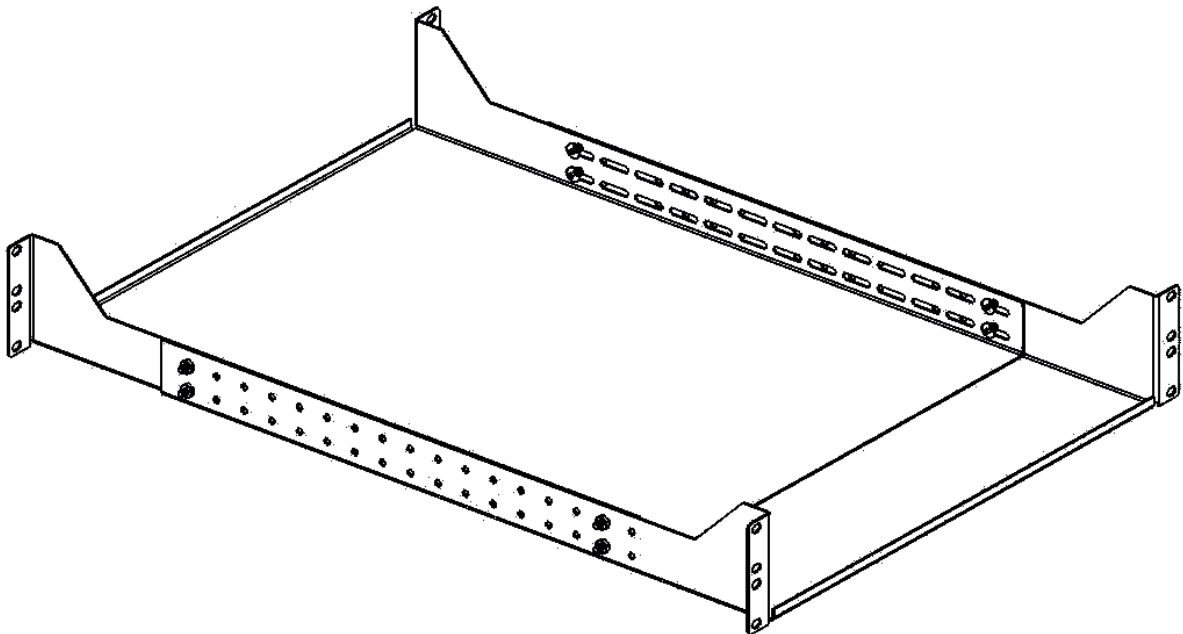


Assembly Instructions

4-Point Adjustable Shelves

Part Numbers:

1906-3-006-02, 1906-3-007-01, 1906-3-008-01



Information Support Concepts
2384 Highway 287 N.
Suite 208
Mansfield, TX 76063-9207

800-458-6255 U.S. Only
Fax (817) 842-9099
Local (817) 842-9090

www.serverrackoptions.com

Tools Needed:

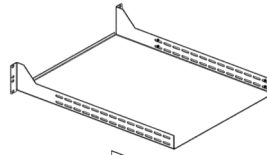


Screw Driver

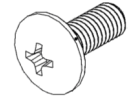
You may also need:



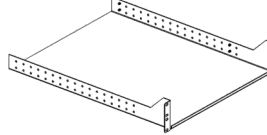
What's in the box:



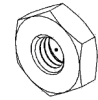
**QTY 1:
Shelf Side
with Slots**



**QTY 8:
Screws**

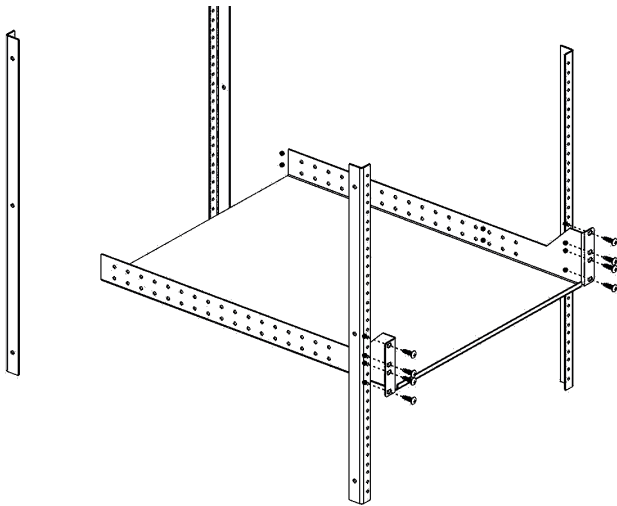


**QTY 1:
Shelf Side
with Holes**

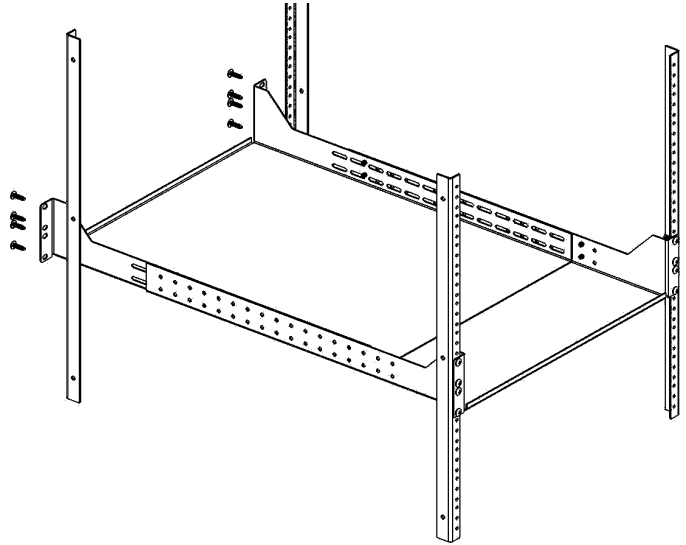


**QTY 8:
Nuts**

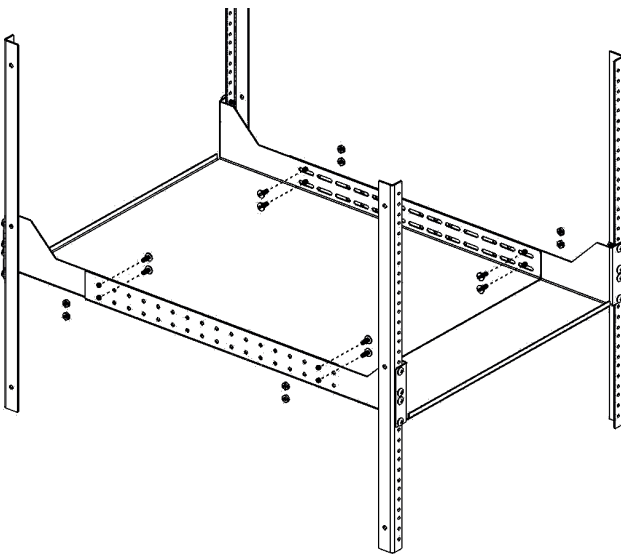
Step 1:



Step 2:



Step 3:



Step 4:

