

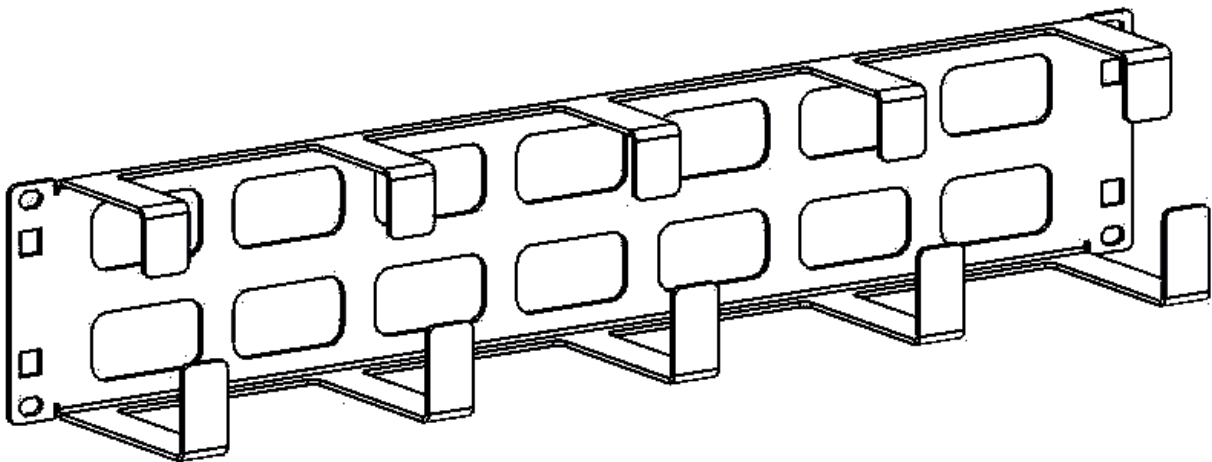
# Assembly Instructions

## Tool-Less 5X D-Ring Cable Manager

**Part Numbers:**

**1903-3-100-01**

**1903-3-100-02**



Information Support Concepts  
2384 Highway 287 N.  
Suite 208  
Mansfield, TX 76063-9207

800-458-6255 U.S. Only  
Fax (817) 842-9099  
Local (817) 842-9090

[www.serverrackoptions.com](http://www.serverrackoptions.com)

**You may need:**

**Screw Driver**

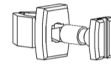


**You may also need:**

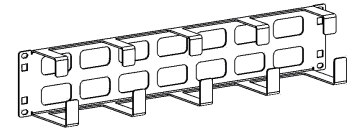


**Rack Screws and Cage Nuts**

**What is in the box:**

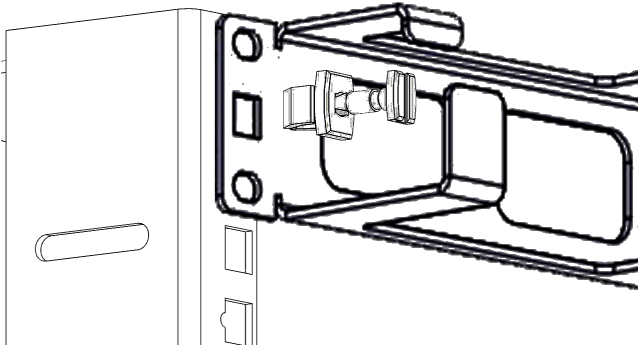


**Tool-less clips**

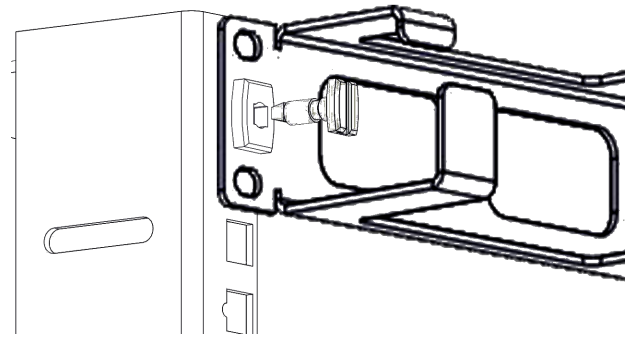


**5X D-Ring Cable Manager**

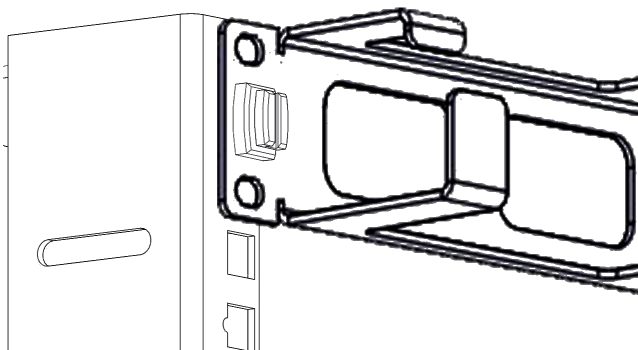
**Step 1:**



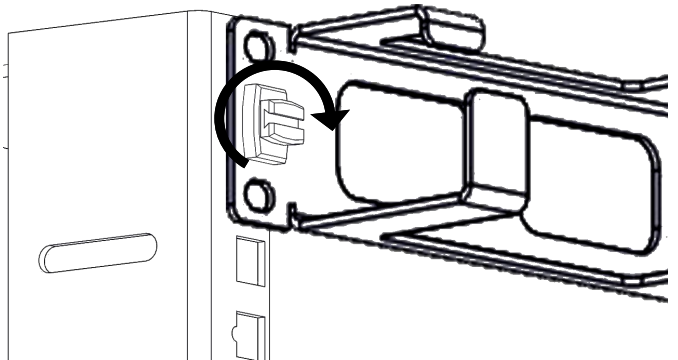
**Step 2:**



**Step 3:**



**Step 4:**



**Installation using rack screws  
(and cage nuts if needed)**

**Disclaimer: Tool-less  
fasteners are not meant to  
support heavy components.  
Use racks screws and cage  
nuts for heavy components.**

