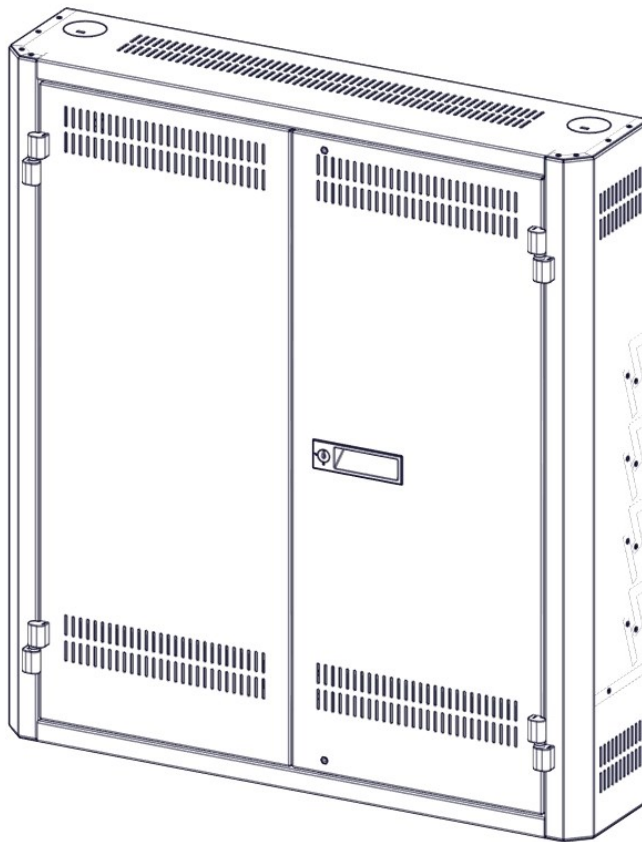


Assembly Instructions

Wall Mount Charging Station

Part Number: CM-800

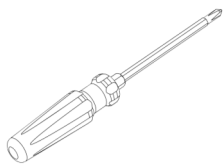


Information Support Concepts
2384 Highway 287 N.
Suite 208
Mansfield, TX 76063-9207

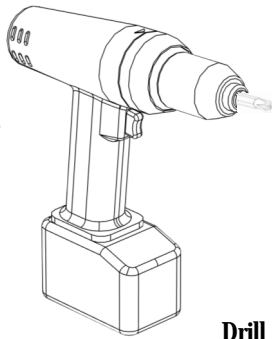
800-458-6255 U.S. Only
Fax (817) 842-9099
Local (817) 842-9090

www.serverrackoptions.com

Tools needed:

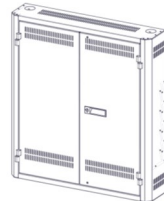


Screwdriver

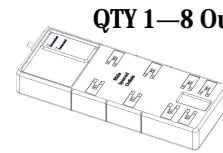


Drill

What's in the box:



QTY 1—Charging Station



QTY 1—8 Outlet Power Strip



QTY 1—Wall Mount Hardware Kit

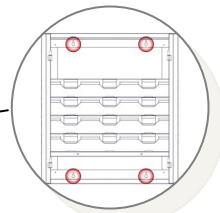
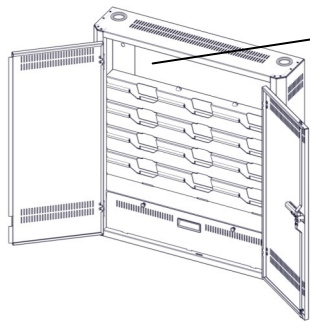


QTY 9—Adhesive Backed Cable Holders



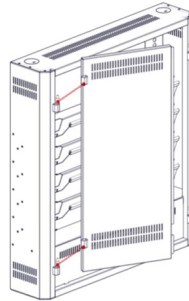
QTY 2—Grommets

How to install on the wall:

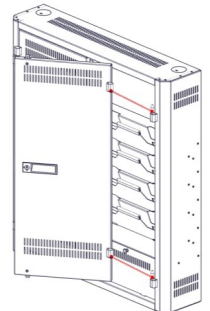


Using the included Wall Mount Hardware Kit, secure the Wall Mount Charging Station to the wall through the highlighted keyholes.

How to remove doors:

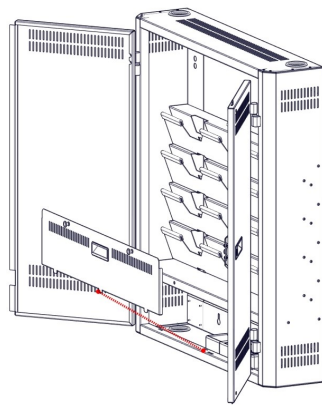


To remove the doors for maintenance or installation, simply unlock, open, and lift off. To put them back on, reverse the process.

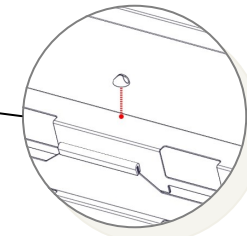
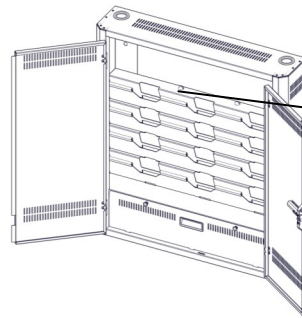


How to access lower compartment:

To access lower compartment, pull out the two knobs, lift the panel up and out, and set aside. To reinstall, reverse this process.

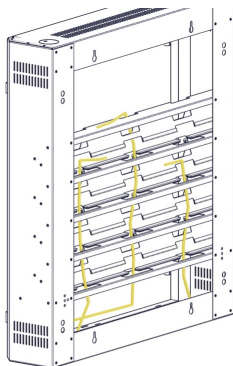


How to apply Adhesive Backed Cable Holders:



Simply peel and stick the cable holder anywhere you need them. They will self-adhere to any smooth flat surface - over time they will become permanent. Use caution when removing them from painted or finished surfaces.

How to route cables to each level: There are two options to route cabling from the lower compartment, where the power strip sits, up to each shelf level.

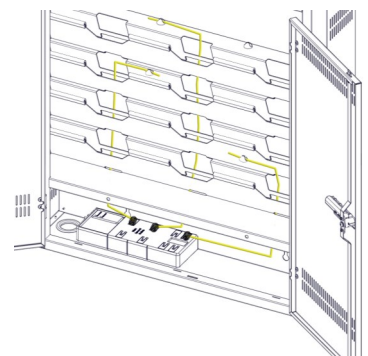


First Option—through the back, before the cabinet is hung on a wall.

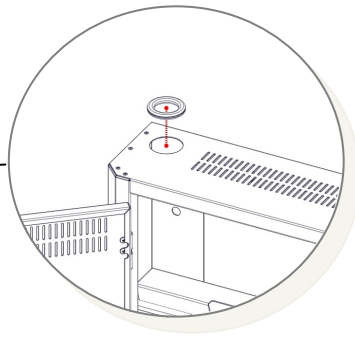
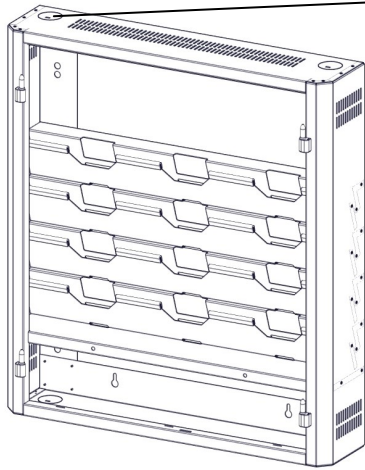
Route the cables up to each level and secure with the Adhesive Backed Cable Holders.

Second Option—through the front.

Route the cables up to each level and secure with the Adhesive Backed Cable Holders.



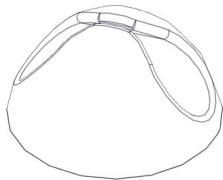
How to install grommets:



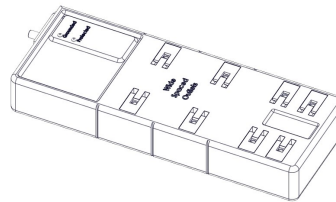
To knock out a top or bottom laser knockout, use a flat head screwdriver. Insert in slot and twist.

Next, insert the included rubber grommet into the hole to protect cables from any sharp edges of the aluminum.

Need additional Adhesive Backed Cable Holders or power strips? Just order the following part numbers:



Adhesive Backed Cable Holders—9 Pack
SKU: 0300-1-003-00



8 Outlet Power Strip
125V/15A
SKU: 1918-1-000-08

