

Assembly Instructions

Training Table Cable Management Enclosure

Part Numbers:

5500-3-100-36, 5500-3-100-48

5500-3-100-60, 5500-3-100-72



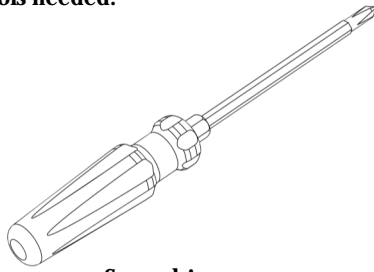
Training Table sold separately.

Information Support Concepts
2384 Highway 287 N.
Suite 208
Mansfield, TX 76063-9207

800-458-6255 U.S. Only
Fax (817) 842-9099
Local (817) 842-9090

www.serverrackoptions.com

Tools needed:



Screwdriver

What's included:



QTY 1: Bottom

QTY 1: Right End

QTY 1: Door

QTY 1: Left End

QTY 1: Lock Base

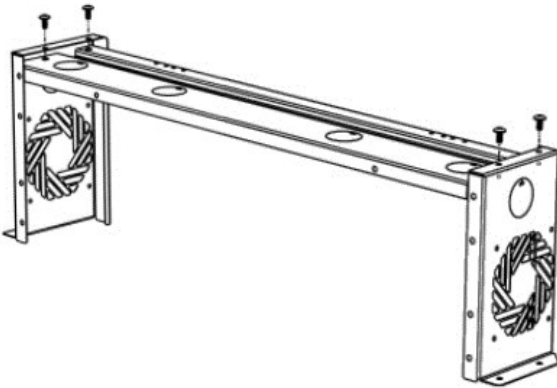
QTY 8: M5x10 Screw

QTY 2: Male Hinge

QTY 9: 1/4-20 Screw

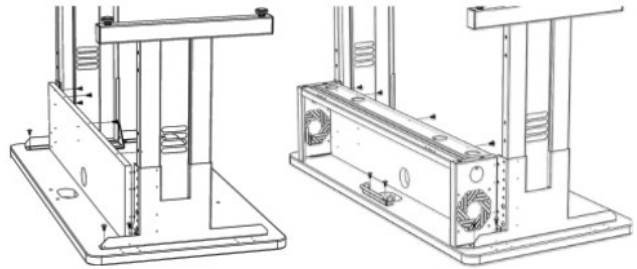
QTY 2: Female Hinge

Step 1:



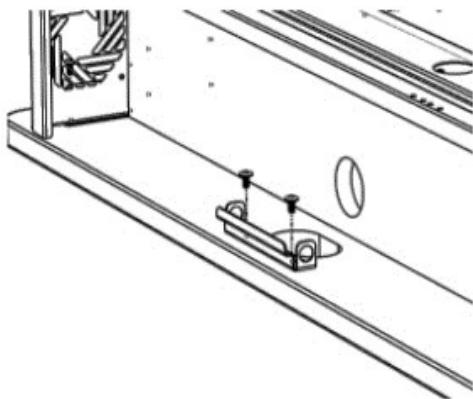
Secure right and left ends to the bottom of the Cable Management Enclosure with 1/4-20" screws.

Step 2:



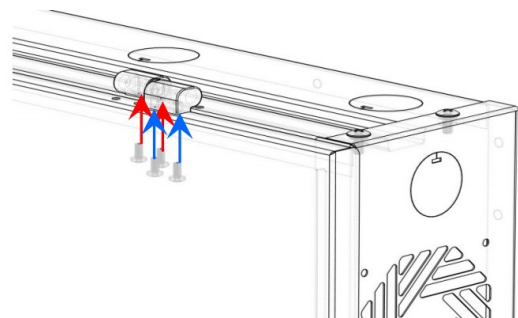
- A. Detach the modesty panel from the leg kit.
- B. Remove screws from the rear leg kit that fasten it to the table top.
- C. Slide the Cable Enclosure around the modesty panel.
- D. Re-insert screws securing the modesty panel and cable enclosure to the leg kit.

Step 3:



Secure the lock base just behind the grommet opening with the 1/4-20" screws.

Step 4:



- A. Secure female hinges to the enclosure bottom with the M5x10 screws. Ensure hole openings face toward each other.
- B. Secure one male hinge to enclosure door bottom with M5x10 screws. Insert should be facing the outside of the door.
- C. Insert the installed male hinge into the female hinge. Take the remaining male hinge and insert into the opposing female hinge and secure to the door with M5x10 screws.