

Assembly Instructions

Training Table Cable Management Enclosure

Part Numbers:

5500-3-100-36, 5500-3-100-48

5500-3-100-60, 5500-3-100-72



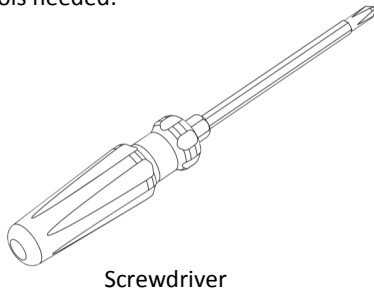
Training Table sold separately.

Information Support Concepts
2384 Highway 287 N.
Suite 208
Mansfield, TX 76063-9207

800-458-6255 U.S. Only
Fax (817) 842-9099
Local (817) 842-9090

www.serverrackoptions.com

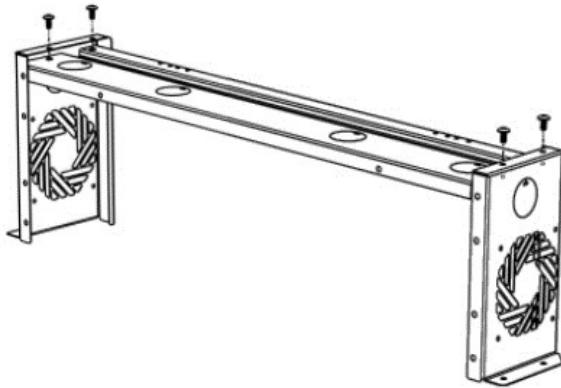
Tools needed:



What's included:

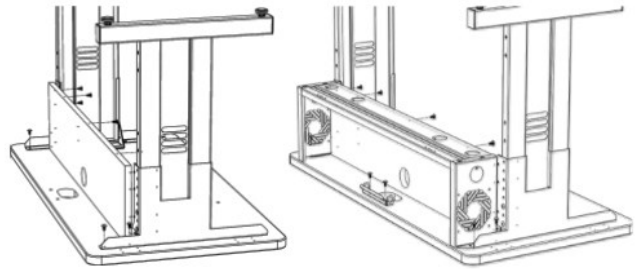


Step 1:



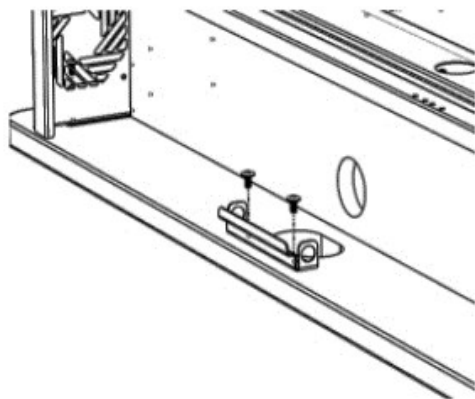
Secure right and left ends to the bottom of the Cable Management Enclosure with 1/4-20" screws.

Step 2:



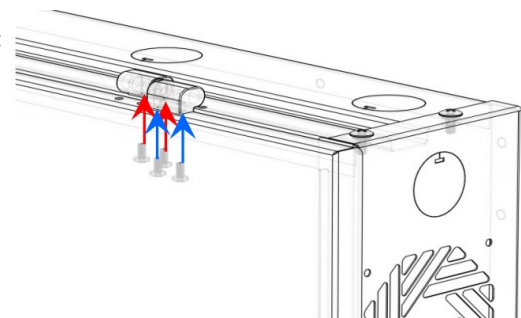
- Detach the modesty panel from the leg kit.
- Remove screws from the rear leg kit that fasten it to the table top.
- Slide the Cable Enclosure around the modesty panel.
- Re-insert screws securing the modesty panel and cable enclosure to the leg kit.

Step 3:



Secure the lock base just behind the grommet opening with the 1/4-20" screws.

Step 4:



- Secure female hinges to the enclosure bottom with the M5x10 screws. Ensure hole openings face toward each other.
- Secure one male hinge to enclosure door bottom with M5x10 screws. Insert should be facing the outside of the door.
- Insert the installed male hinge into the female hinge. Take the remaining male hinge and insert into the opposing female hinge and secure to the door with M5x10 screws.