

Assembly Instructions

Training Table CPU Holders (SFF & Desktop)

Part Numbers: 5500-3-100-04, 5500-3-100-08

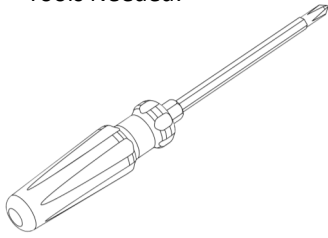


Information Support Concepts
2384 Highway 287 N.
Suite 208
Mansfield, TX 76063-9207

800-458-6255 U.S. Only
Fax (817) 842-9099
Local (817) 842-9090

www.serverrackoptions.com

Tools Needed:



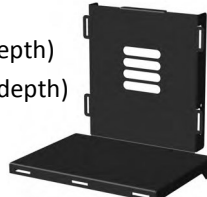
Screwdriver

What's Included:



(SFF/4" depth)

QTY 1: SFF (4" depth)
OR Desktop (8" depth)
CPU Holder



(Desktop/8" depth)

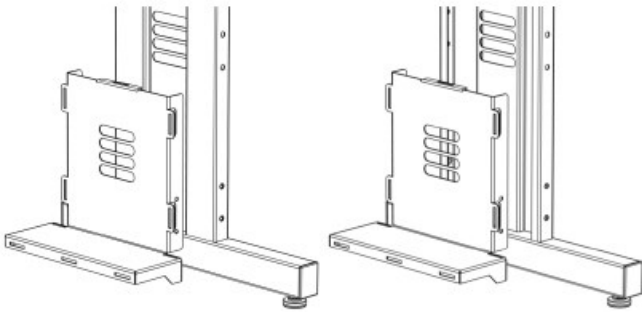


QTY 1: 50" Hook
and Loop Strap



QTY 4: 1/4-20
Screws

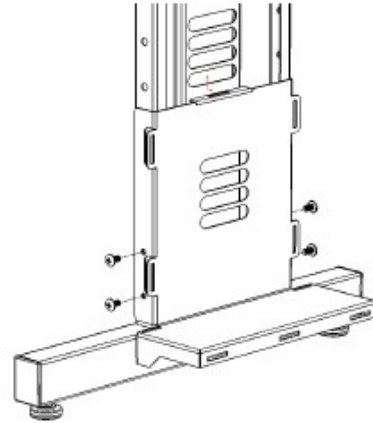
Step 1:



Fit CPU holder on/around lower part of the inside or
outside of the training table leg.

(Image above shows SFF size.)

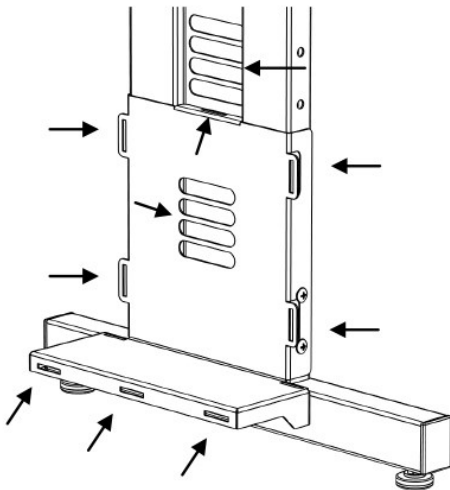
Step 2:



Line up holes and insert 1/4-20" screws and secure.

(Image above shows SFF size.)

Step 3:



Use hook and loop strap to secure CPU or unit to CPU
holder by lacing the strap through any of the 10 tie points.

(Image to the left shows SFF size.)