



# Assembly Instructions

## Training Table Keyboard Tray

Part Number: 5500-3-100-02

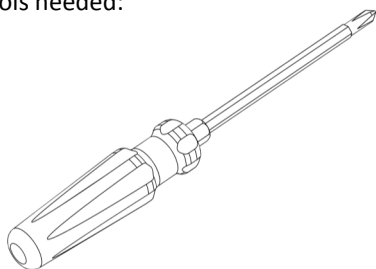


Information Support Concepts  
2384 Highway 287 N.  
Suite 208  
Mansfield, TX 76063-9207

800-458-6255 U.S. Only  
Fax (817) 842-9099  
Local (817) 842-9090

[www.serverrackoptions.com](http://www.serverrackoptions.com)

Tools needed:



Screwdriver

What's included:

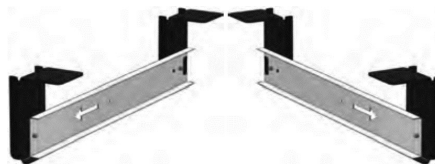
QTY 1: Tray



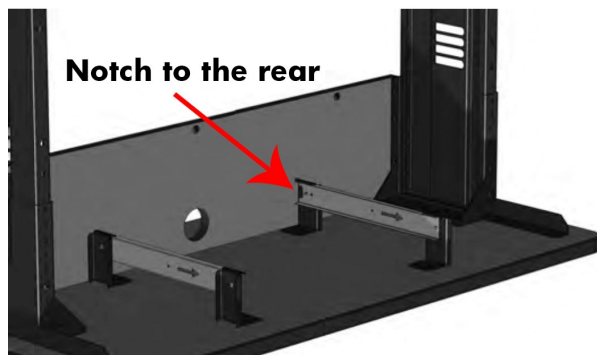
QTY 4: 1/4-20 Screws



QTY 2: Brackets/Slides

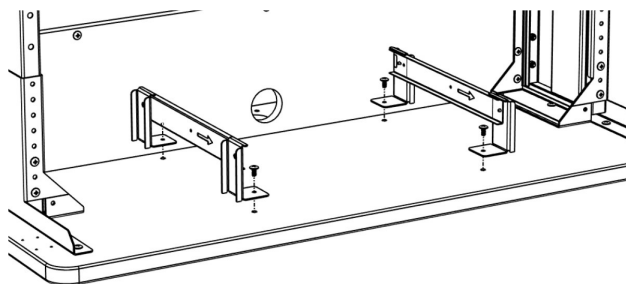


Step 1:



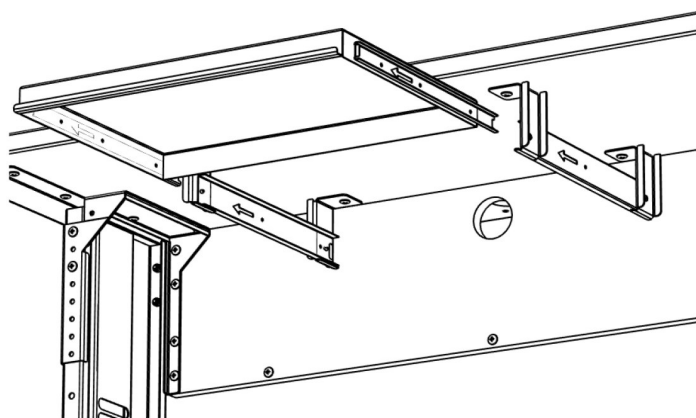
- A. Line up keyboard tray brackets/slides with the pre-drilled holes in the table top surface.
- B. Ensure the notch in the slide rails is facing the rear of the table.

Step 2:



Secure with included 1/4-20 screws

Step 3:



Insert keyboard tray into mounted slides.

- To use tray as a keyboard tray, insert with hollow area facing down.
- To use tray as a pencil drawer, insert with hollow area facing up.