

Assembly Instructions

Performance Accessory Bar

Part Numbers:

**5200-3-500-24, 5200-3-500-48,
5200-3-500-72, 5200-3-500-96**



Information Support Concepts
2384 Highway 287 N.
Suite 208
Mansfield, TX 76063-9207

800-458-6255 U.S. Only
Fax (817) 842-9099
Local (817) 842-9090

www.serverrackoptions.com

Tools Needed:

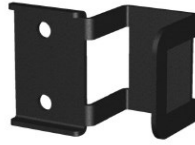


7/32" Hex Wrench

What's Included:



QTY 1: Accessory Bar



QTY 2: Mounting Brackets

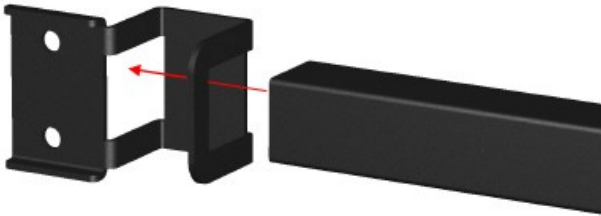


QTY 4: Bolt 3/8-16" x 1.5"



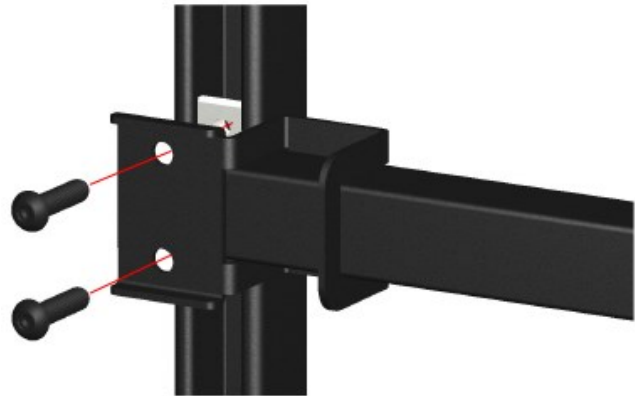
QTY 4: Channel Nuts (3/8")

Step 1:



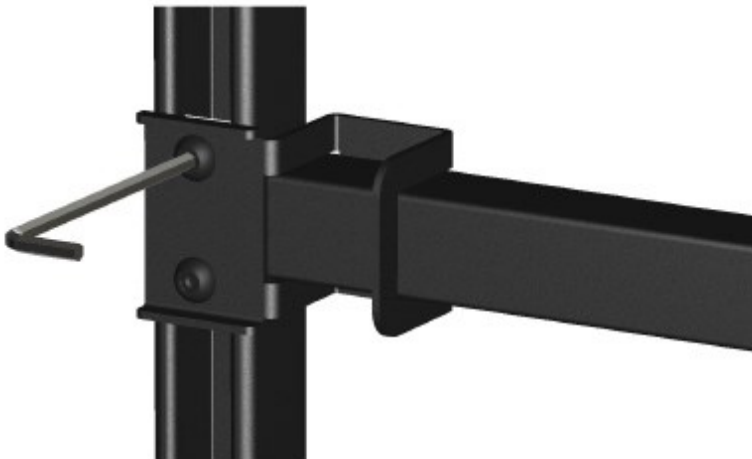
Slide both mounting brackets on both ends of the Accessory Bar.

Step 2:



Place channel nuts behind inside flanges of uprights. Install bolts through mounting bracket into channel nuts.

Step 3:



Adjust height of both brackets until the Accessory Bar is level. Use hex wrench to secure bolts.