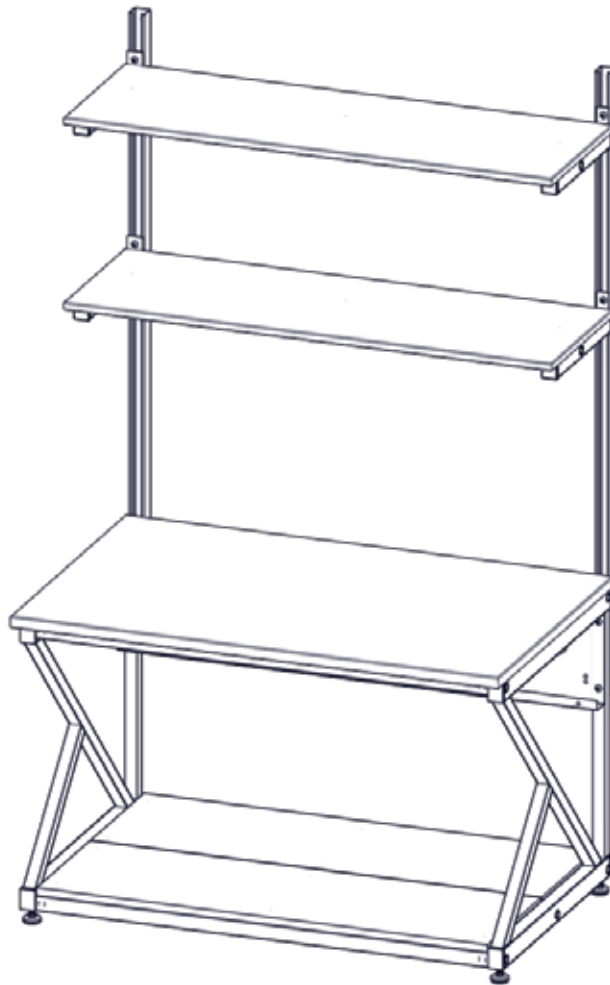


Performance Series[®] LAN Station / Workbench Instructions



Information Support Concepts
2384 Highway 287 N.
Suite 208
Mansfield, TX 76063-9207

800-458-6255 U.S. Only
Fax (817) 842-9099
Local (817) 842-9090
www.serverrackoptions.com



Welcome to your new Performance Series® LAN Station / Workbench. Here is a little information to get you started on assembling your LAN Station / Workbench.

This instruction manual goes over the complete assembly of all four of the standard configurations. Please pay close attention to the series that you have purchased and follow along making sure you follow the steps that only pertain to your series. If you need to identify which series you have purchased, please reference the chart below by matching it with the SKU / Part Number listed on the crate.



100 Series

Half Bottom Shelf & Two Upper Shelves



200 Series

Full Bottom Shelf & Two Upper Shelves



300 Series

Full Bottom Shelf & No Upper Shelves



400 Series

Half Bottom Shelf & No Upper Shelves

SKU / Part Number	Series Number
5000-3-100-24	100 Series
5000-3-100-48	100 Series
5000-3-100-72	100 Series
5000-3-100-96	100 Series
5000-3-101-24	100 Series
5000-3-101-48	100 Series
5000-3-101-72	100 Series
5000-3-101-96	100 Series
5000-3-102-24	100 Series
5000-3-102-48	100 Series
5000-3-102-72	100 Series
5000-3-102-96	100 Series
5000-3-103-24	100 Series
5000-3-103-48	100 Series
5000-3-103-72	100 Series
5000-3-103-96	100 Series
5000-3-104-24	100 Series
5000-3-104-48	100 Series
5000-3-104-72	100 Series
5000-3-104-96	100 Series

SKU / Part Number	Series Number
5000-3-200-24	200 Series
5000-3-200-48	200 Series
5000-3-200-72	200 Series
5000-3-200-96	200 Series
5000-3-201-24	200 Series
5000-3-201-48	200 Series
5000-3-201-72	200 Series
5000-3-201-96	200 Series
5000-3-202-24	200 Series
5000-3-202-48	200 Series
5000-3-202-72	200 Series
5000-3-202-96	200 Series
5000-3-203-24	200 Series
5000-3-203-48	200 Series
5000-3-203-72	200 Series
5000-3-203-96	200 Series
5000-3-204-24	200 Series
5000-3-204-48	200 Series
5000-3-204-72	200 Series
5000-3-204-96	200 Series

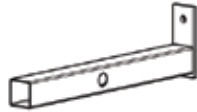
SKU / Part Number	Series Number
5000-3-300-24	300 Series
5000-3-300-48	300 Series
5000-3-300-72	300 Series
5000-3-300-96	300 Series
5000-3-301-24	300 Series
5000-3-301-48	300 Series
5000-3-301-72	300 Series
5000-3-301-96	300 Series
5000-3-302-24	300 Series
5000-3-302-48	300 Series
5000-3-302-72	300 Series
5000-3-302-96	300 Series
5000-3-303-24	300 Series
5000-3-303-48	300 Series
5000-3-303-72	300 Series
5000-3-303-96	300 Series
5000-3-304-24	300 Series
5000-3-304-48	300 Series
5000-3-304-72	300 Series
5000-3-304-96	300 Series

SKU / Part Number	Series Number
5000-3-400-24	400 Series
5000-3-400-48	400 Series
5000-3-400-72	400 Series
5000-3-400-96	400 Series
5000-3-401-24	400 Series
5000-3-401-48	400 Series
5000-3-401-72	400 Series
5000-3-401-96	400 Series
5000-3-402-24	400 Series
5000-3-402-48	400 Series
5000-3-402-72	400 Series
5000-3-402-96	400 Series
5000-3-403-24	400 Series
5000-3-403-48	400 Series
5000-3-403-72	400 Series
5000-3-403-96	400 Series
5000-3-404-24	400 Series
5000-3-404-48	400 Series
5000-3-404-72	400 Series
5000-3-404-96	400 Series

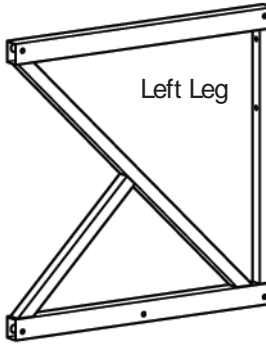
What's in the Crate?



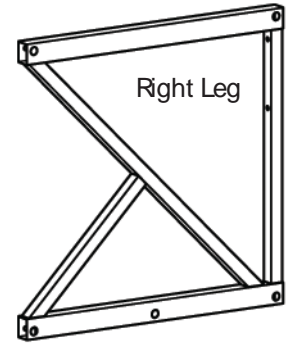
Left Upper Shelf Support



Right Upper Shelf Support



Left Leg



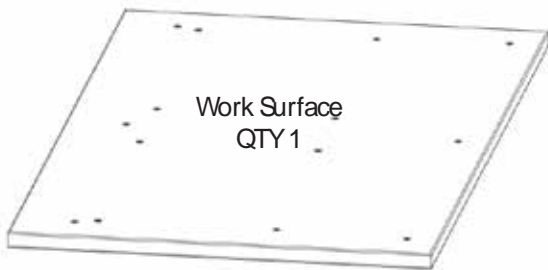
Right Leg



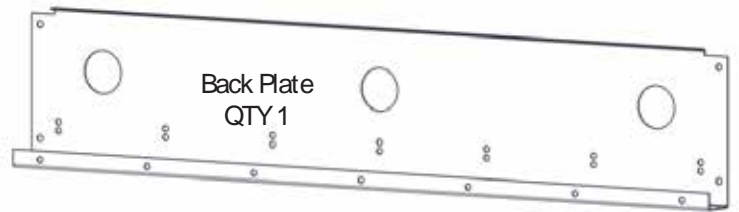
Cross Bar



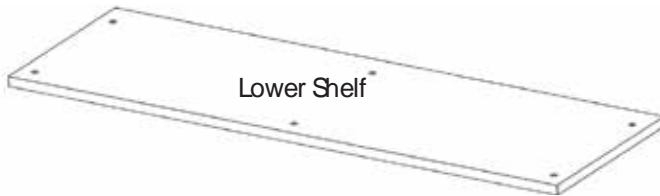
Upper Shelf Channel
QTY 2



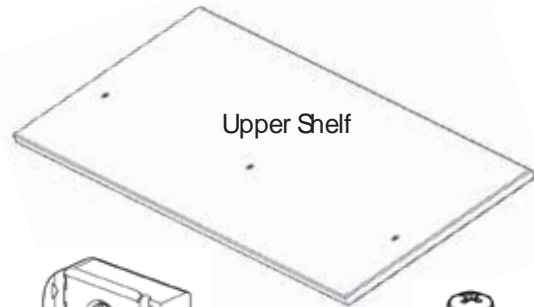
Work Surface
QTY 1



Back Plate
QTY 1



Lower Shelf



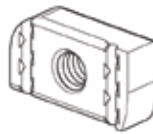
Upper Shelf



1 1/2" Bolt - Black
QTY 18



2 1/2" Bolt - Black
QTY 4



Channel Nut
QTY 8



1/4-20 Cross Head Screw - Silver
QTY 14



1 1/2" x 1 1/2" End Cap
QTY 4



1 1/2" x 2" End Cap
QTY 4



3/4" Round End Cap
QTY 14

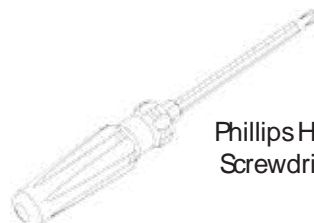


Leveler
QTY 4

Tools Needed:



T-Handle Hex
Wrench
(Included)



Phillips Head
Screwdriver

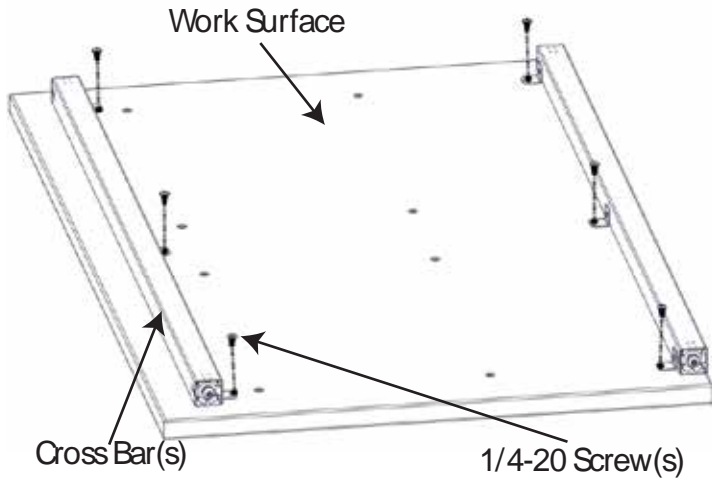


Cordless
Drill*

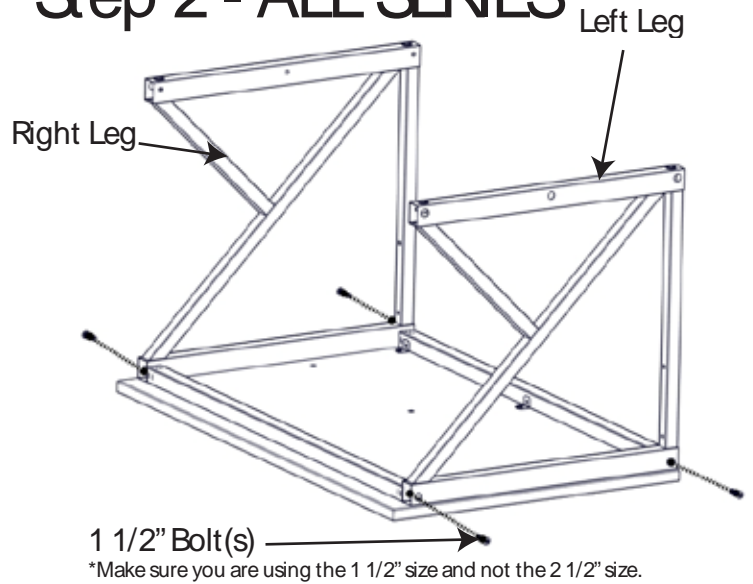
*If you are using a cordless drill, be sure to adjust the speed and slip so you do not crossthread or over tighten the screws.

Step 1 - ALL SERIES

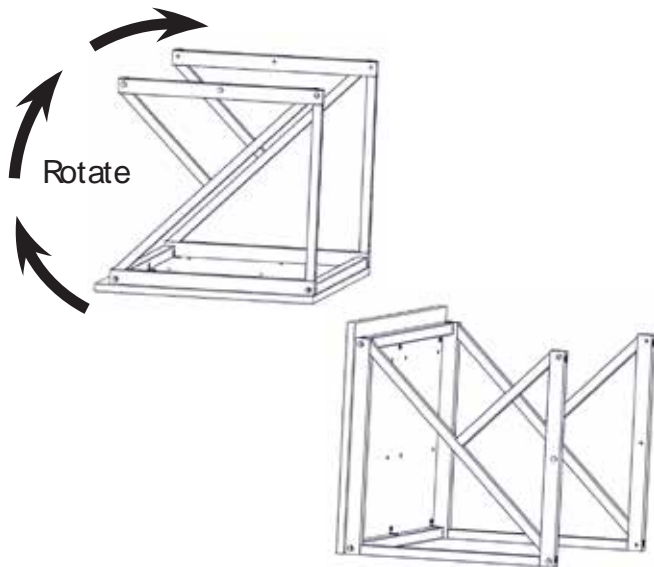
*Please note that the number of screw locations varies by the size of the bench.
Picture below is of a 48" bench.



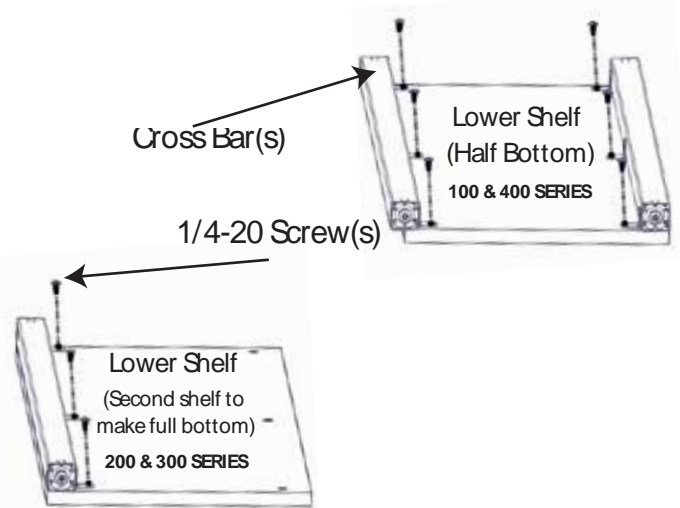
Step 2 - ALL SERIES



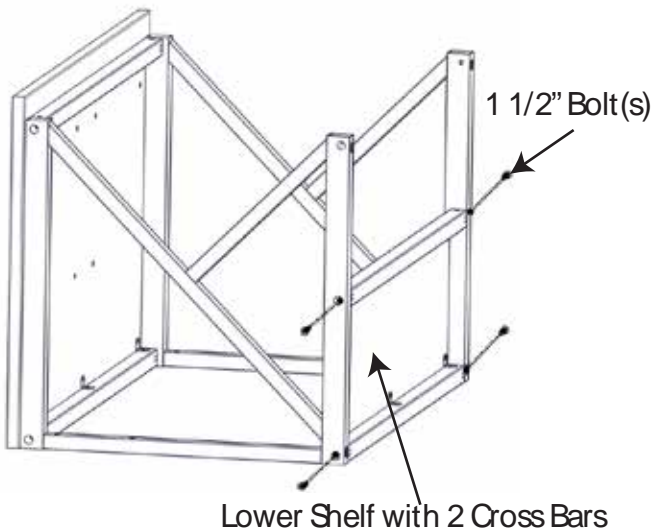
Step 3 - ALL SERIES



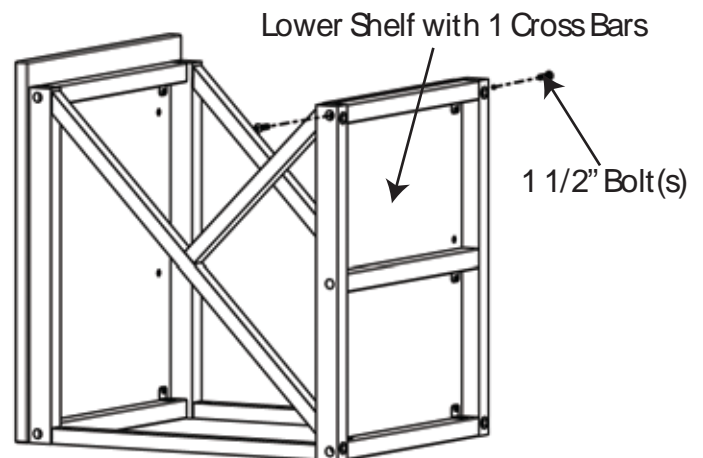
STEP 4 - 100 & 400 SERIES only have one bottom shelf.
200 & 300 SERIES have two bottom shelves.
*Please note that the number of screw locations varies by the size of the bench.
Picture below is of a 48" bench.



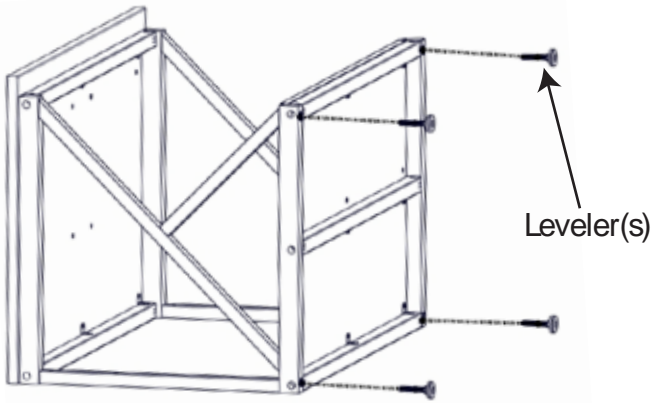
Step 5 - ALL SERIES



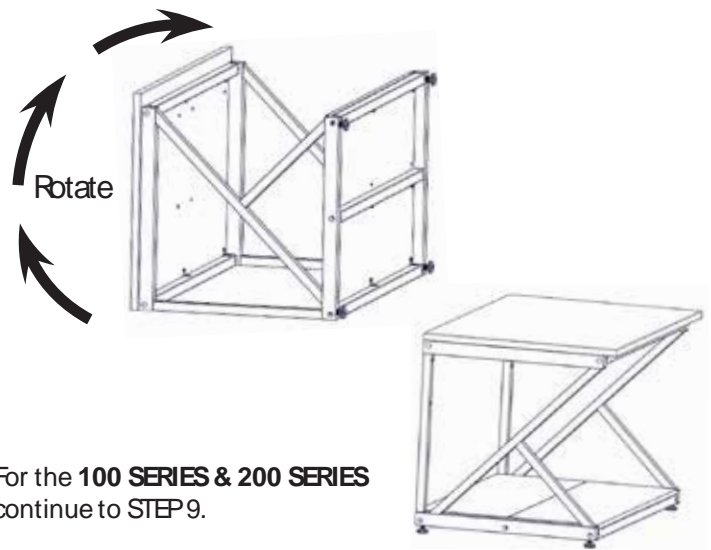
Step 6 ONLY FOR 200 & 300 SERIES which have the full bottom shelf.
100 SERIES & 400 SERIES skip this step.



Step 7 - ALL SERIES

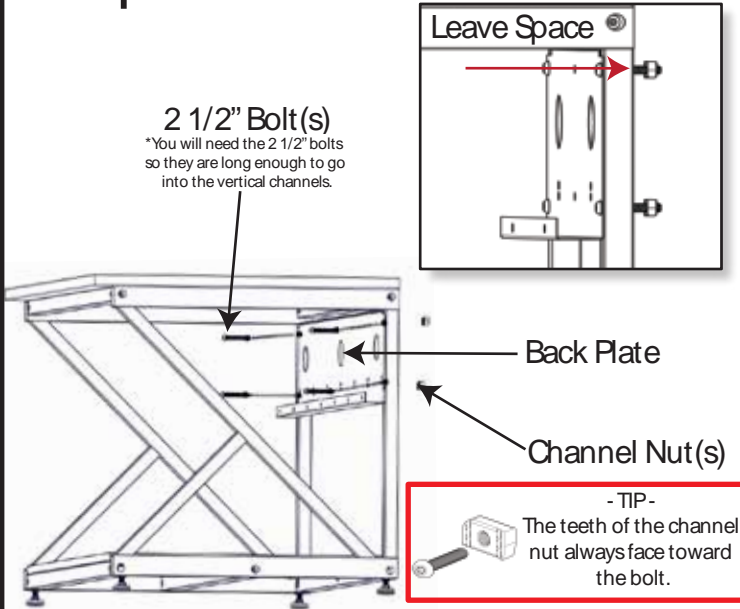


*If you purchased the optional caster kit, install the casters instead of the levelers.

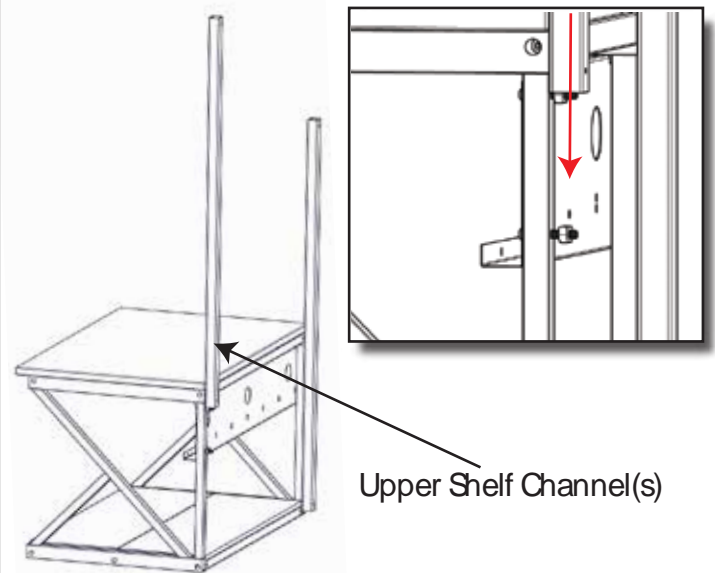


For the 100 SERIES & 200 SERIES continue to STEP 9.

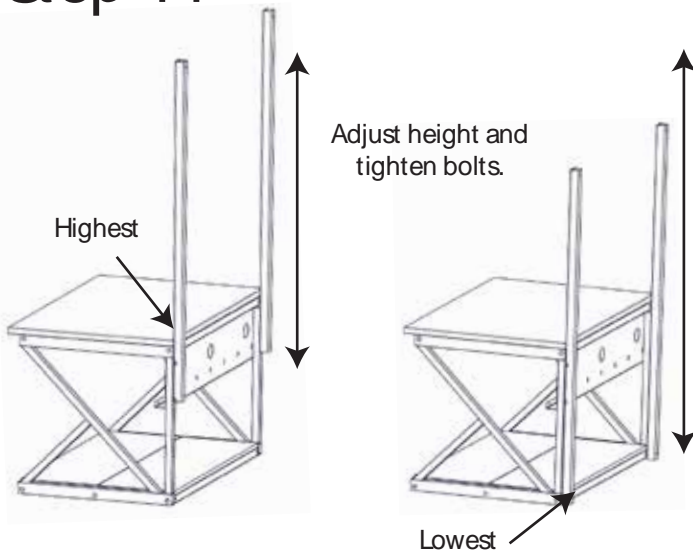
Step 9 100 SERIES & 200 SERIES



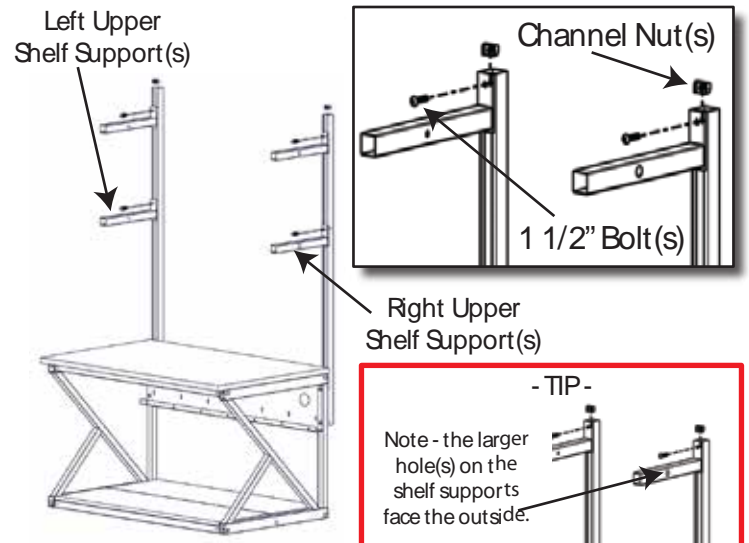
Step 10 100 SERIES & 200 SERIES



Step 11 100 SERIES & 200 SERIES

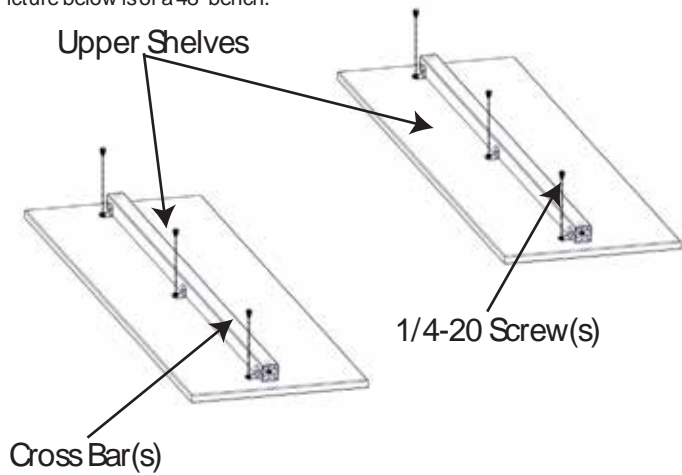


Step 12 100 SERIES & 200 SERIES

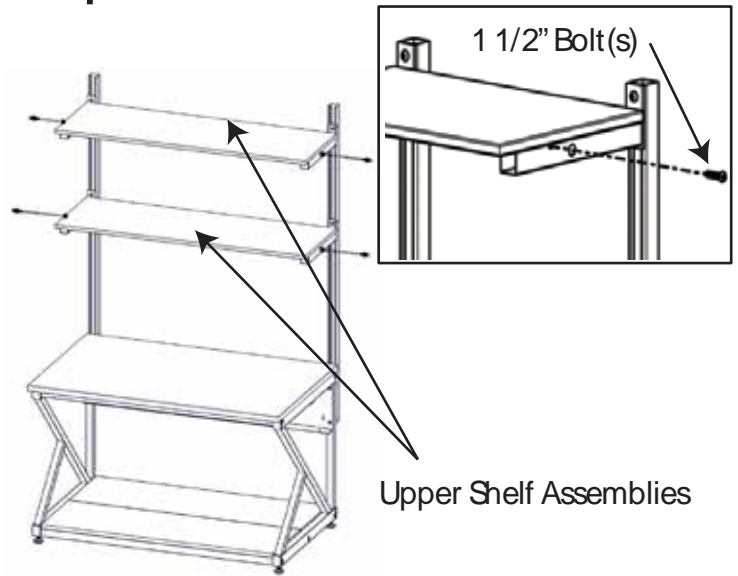


Step 13 100 SERIES & 200 SERIES

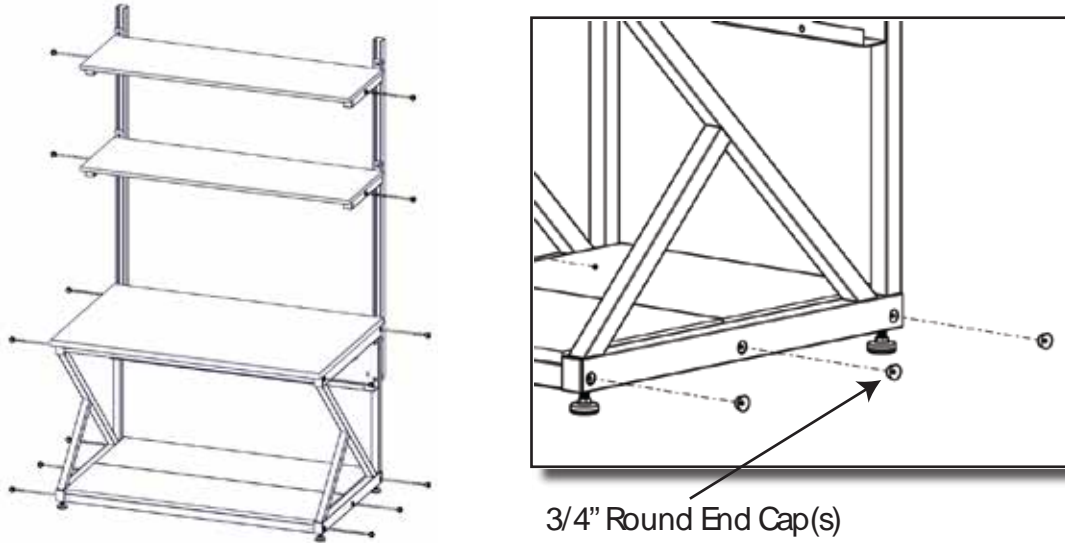
*Please note that the number of screw locations varies by the size of the bench. Picture below is of a 48" bench.



Step 14 100 SERIES & 200 SERIES



Step 15 100 SERIES & 200 SERIES



Step 16 100 SERIES & 200 SERIES

