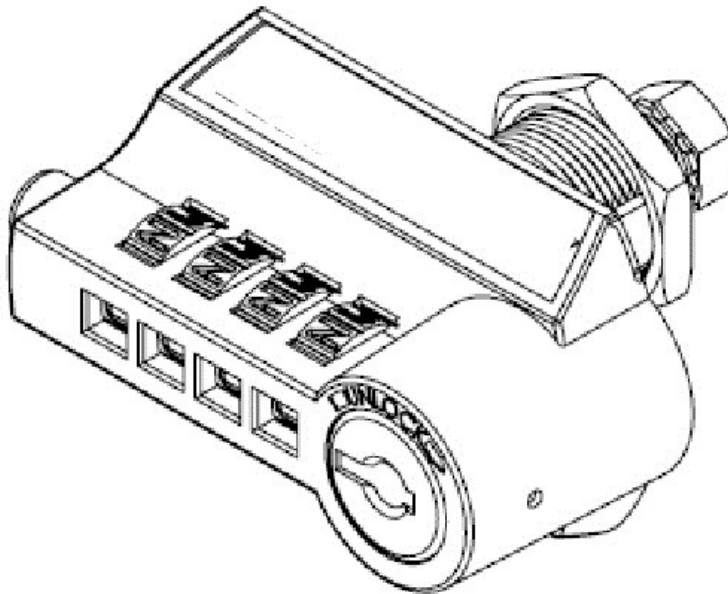




# Assembly Instructions

## LINIER® Wall Mount Combination Lock

Part Number: 3200-1-001-00

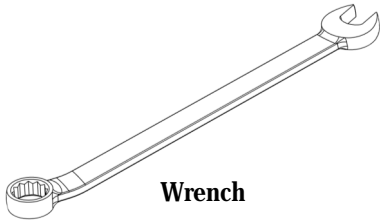


Information Support Concepts  
2384 Highway 287 N.  
Suite 208  
Mansfield, TX 76063-9207

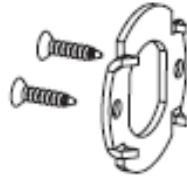
800-458-6255 U.S. Only  
Fax (817) 842-9099  
Local (817) 842-9090

[www.serverrackoptions.com](http://www.serverrackoptions.com)

**Tools needed:**



**Parts you may need ( extra )....**

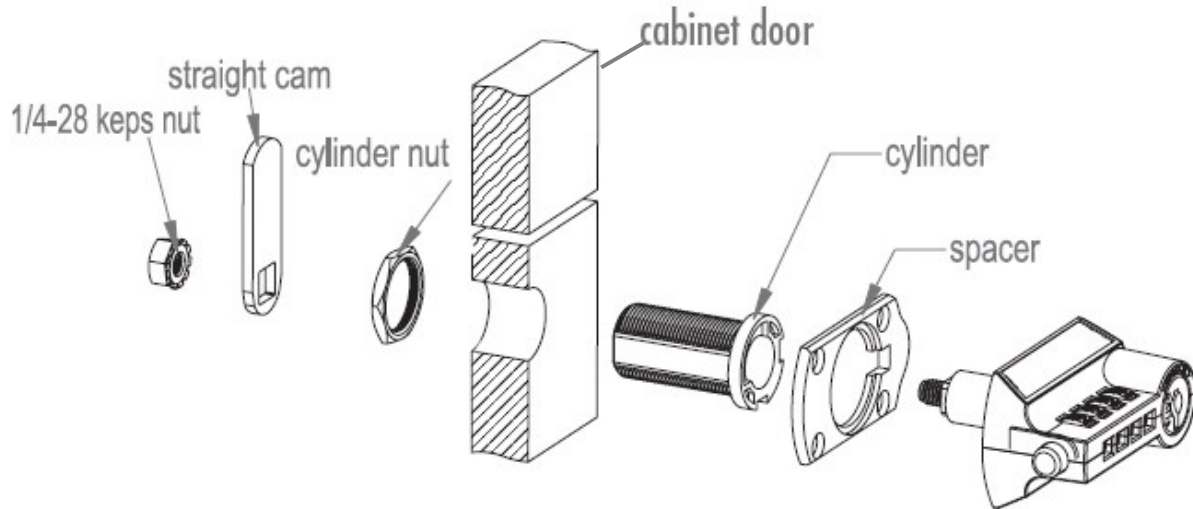
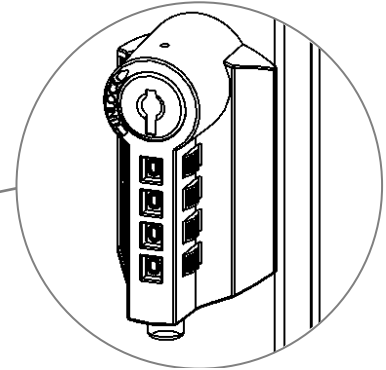
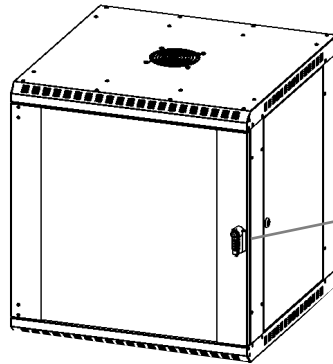


Spur washer and screws are only when the lock is being used in a wood door or drawer



Offset cam included if you are using this lock in a drawer or cabinet other than the LINIER® Wall Mount Cabinets from Kendall Howard

**How to install:**



**Unlock using combination:**

- Factory set combination is 0-0-0-0.
- Turn wheels until correct combination appears in the combination windows.
- Press button, rotate housing to unlatch.
- Scramble wheels to lock.

**Unlock using key:**

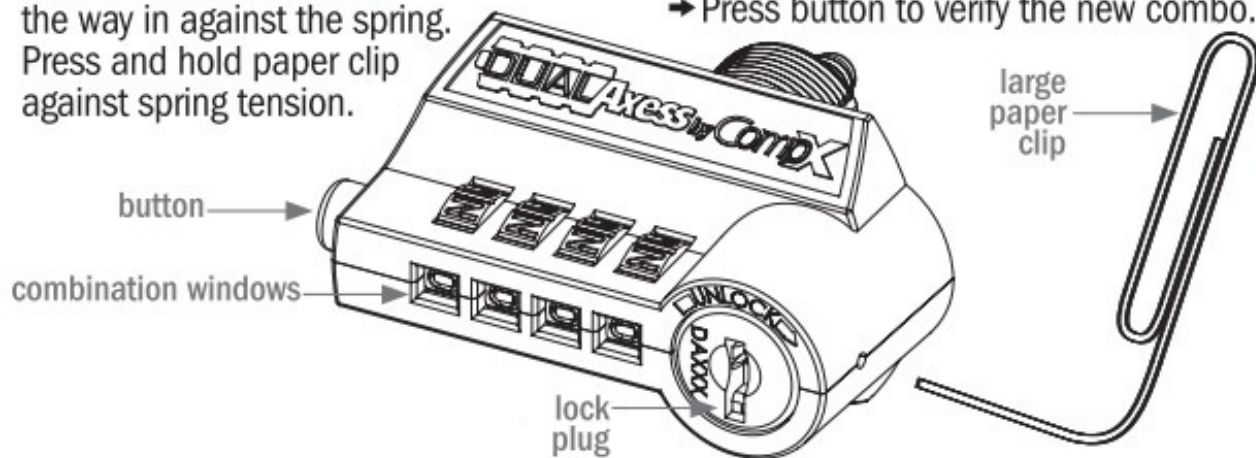
- Insert key into lock plug; rotate key 90° clockwise.
- Rotate housing to unlatch.
- Important: Rotate key 90° counterclockwise to lock.

**\*Change the combination: See next page.**

## \*Change the combination:

### Changing the combination:

- Set to correct combination.  
(Factory set combination is 0-0-0-0.)
- Insert key and turn 90° clockwise to unlock.
- Remove the key.
- Insert the end of a large paper clip (see diagram).
- Push end of paper clip all the way in against the spring. Press and hold paper clip against spring tension.



- While holding paper clip firmly in place, spin the dials to the new desired code in the combination windows. Remove paper clip, and record the new combo.



- Insert key and turn 90° counterclockwise.
- Remove the key.
- Press button to verify the new combo.