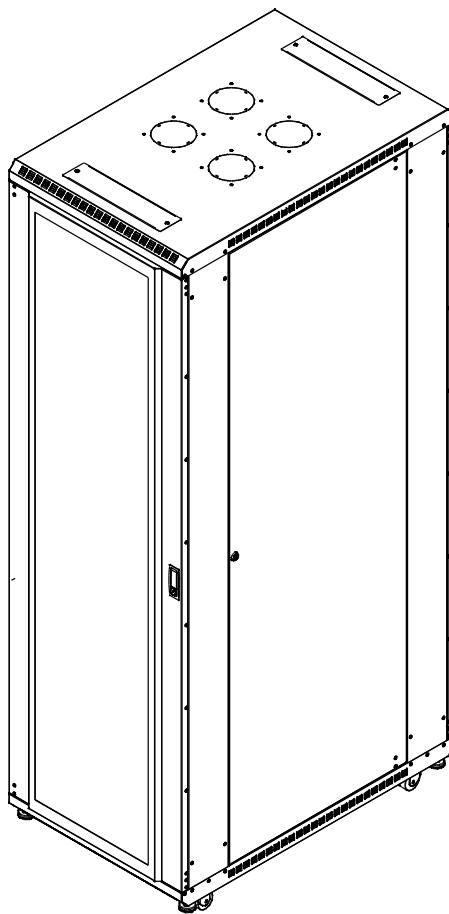


# Installation Instructions

## LINIER<sup>®</sup> FULL SIZE SERVER CABINETS

### SERIES:

**3100, 3101, 3102, 3103,  
3104, 3105, 3106, 3107,  
3108, 3110, 3170, & 3180**

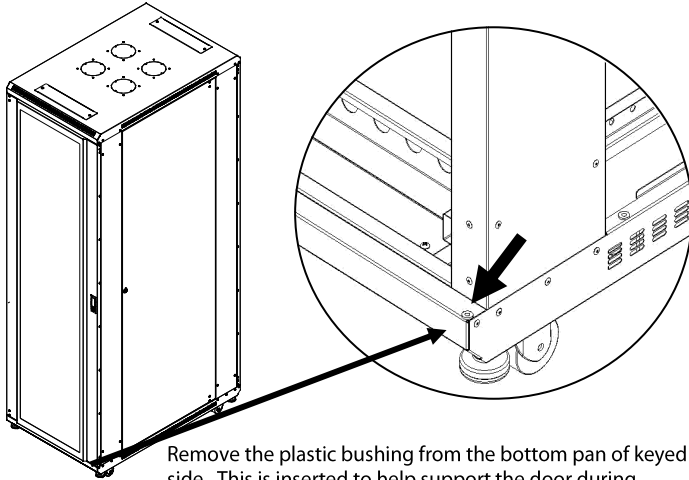


Information Support Concepts  
2384 Highway 287 N.  
Suite 208  
Mansfield, TX 76063-9207

800-458-6255 U.S. Only  
Fax (817) 842-9099  
Local (817) 842-9090

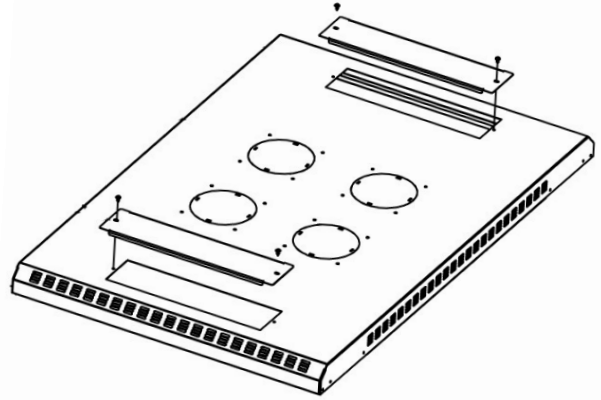
[www.serverrackoptions.com](http://www.serverrackoptions.com)

## Removing Door Support



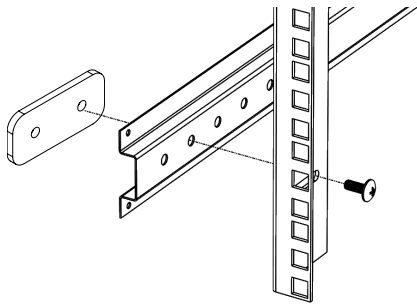
Remove the plastic bushing from the bottom pan of keyed side. This is inserted to help support the door during shipping, but is not needed once the cabinet is installed.

## Installing Cable Pass Through Covers



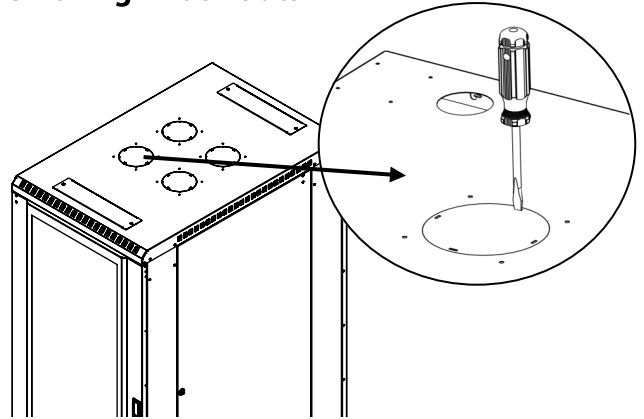
Insert cover into the opening and secure with a screw on either side

## Adjusting the Rail Depth



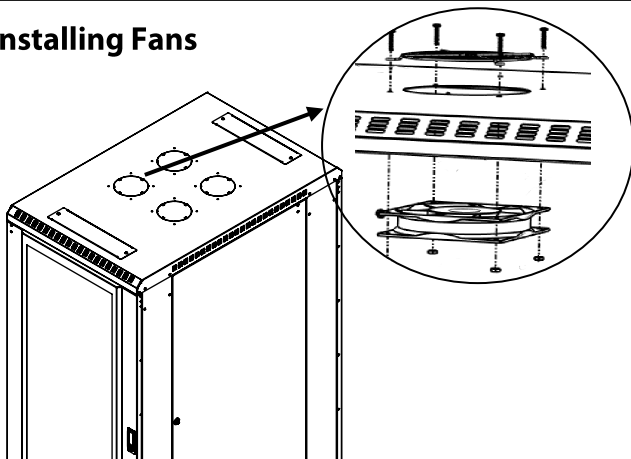
Unscrew the rail from the rail support. Move the rail forwards or backwards to desired location. Insert screw and secure.

## Removing Knock Outs



- Insert a flat head screw driver into the small opening at the edge of the knock out.
- Pry upwards and twist until insert breaks free.

## Installing Fans



- Place the fan on the underside of the top panel, and the fan guard on the top.
- Line up holes.
- Insert screws through the fan guard, top panel, and fan, and secure nuts.

