

Installation Instructions

LINIER FIXED WALL MOUNT CABINETS

Part Numbers:

Glass Door

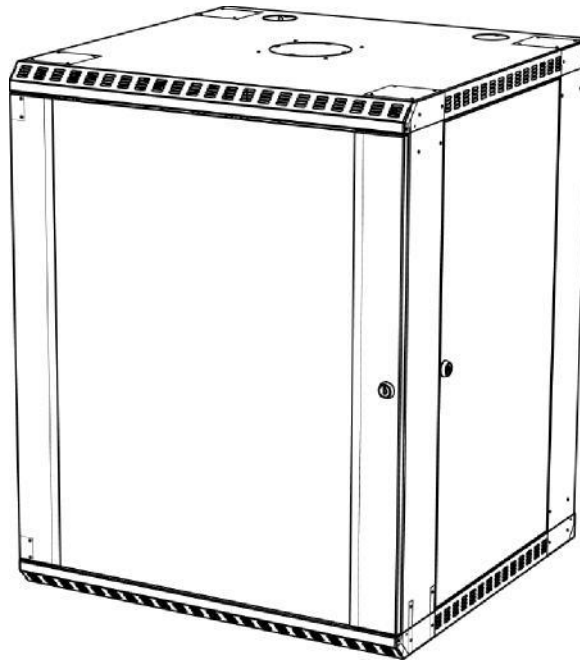
6U - 3140-3-001-06
9U - 3140-3-001-09
12U - 3140-3-001-12
15U - 3140-3-001-15
18U - 3140-3-001-18
22U - 3140-3-001-22

Solid Door

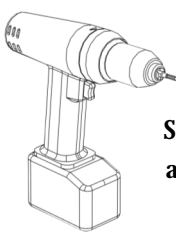
6U - 3141-3-001-06
9U - 3141-3-001-09
12U - 3141-3-001-12
15U - 3141-3-001-15
18U - 3141-3-001-18
22U - 3141-3-001-22

Vented Door

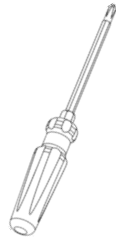
6U - 3142-3-001-06
9U - 3142-3-001-09
12U - 3142-3-001-12
15U - 3142-3-001-15
18U - 3142-3-001-18
22U - 3142-3-001-22



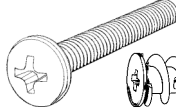
Tools/Hardware needed:



**Screwdriver
and/or Drill**



You may also need:

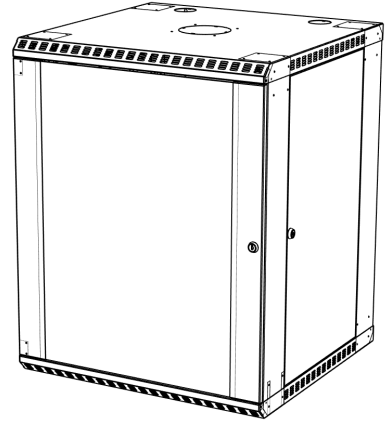


**Mounting screws
and anchors**

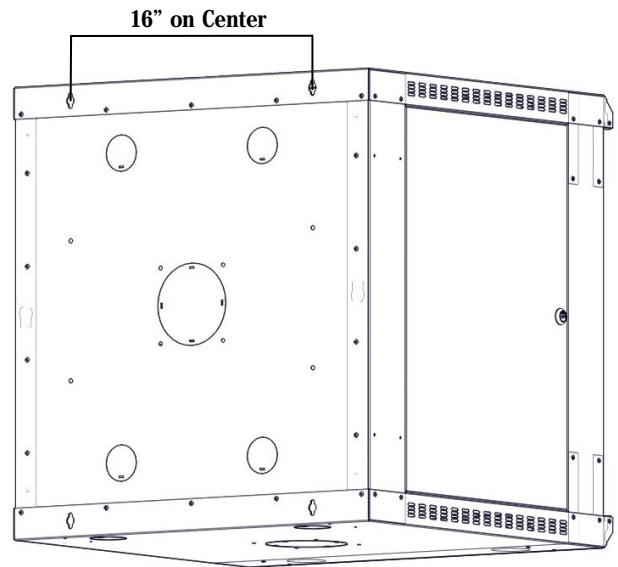
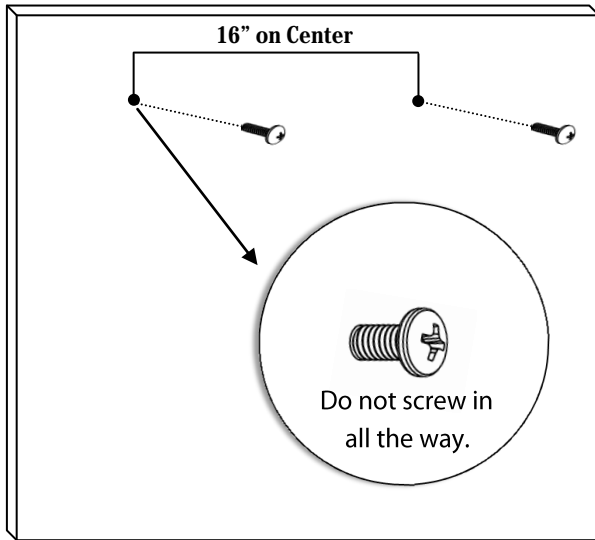
Mounting hardware is **NOT** included

What's in the box?

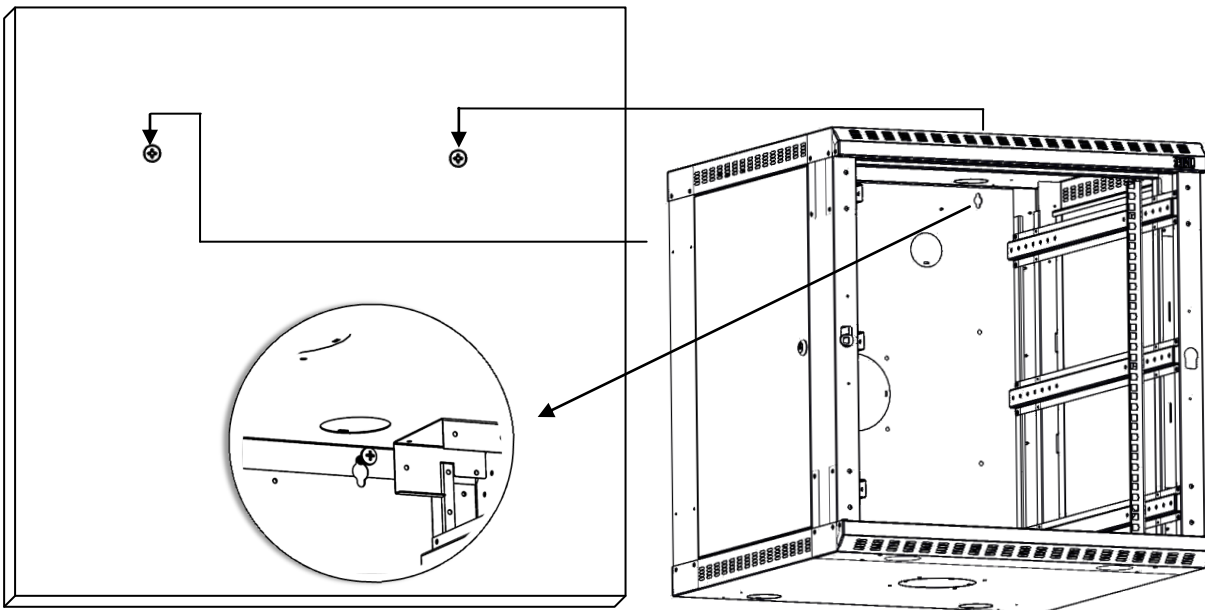
**Qty 1:
LINER Wall Mount
Cabinet**



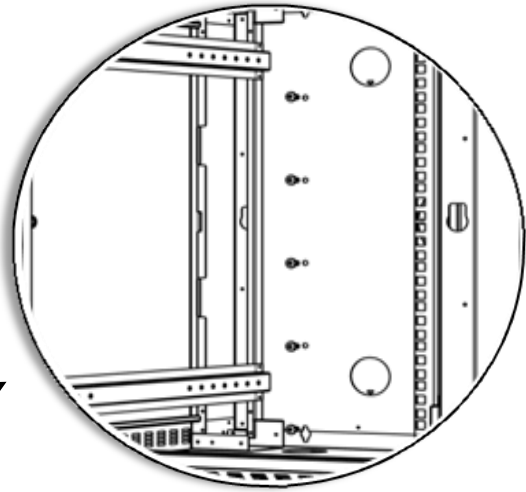
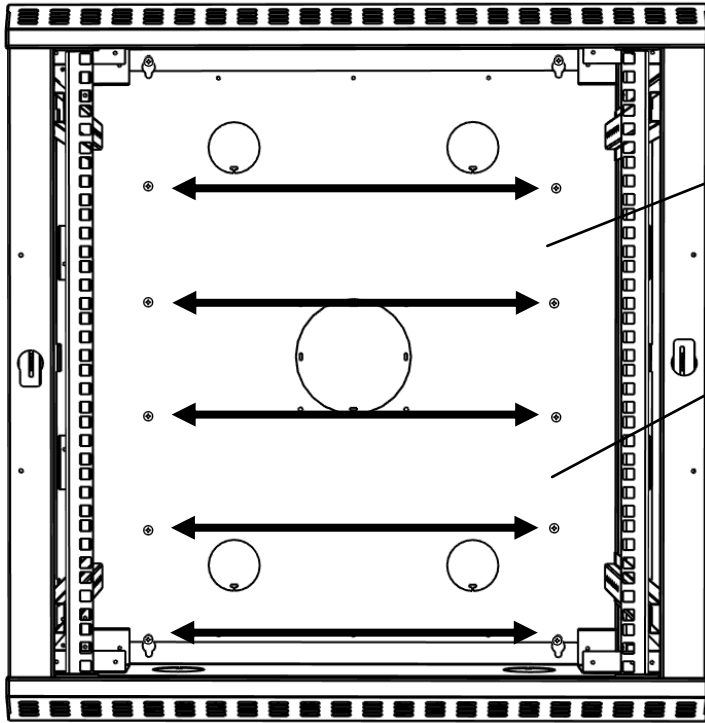
Step 1:



Step 2:

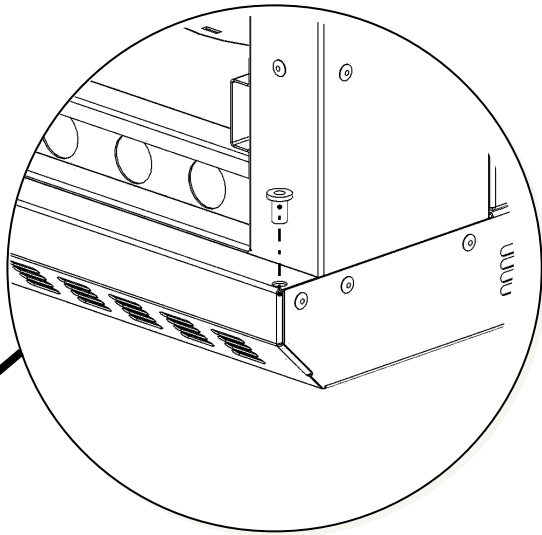
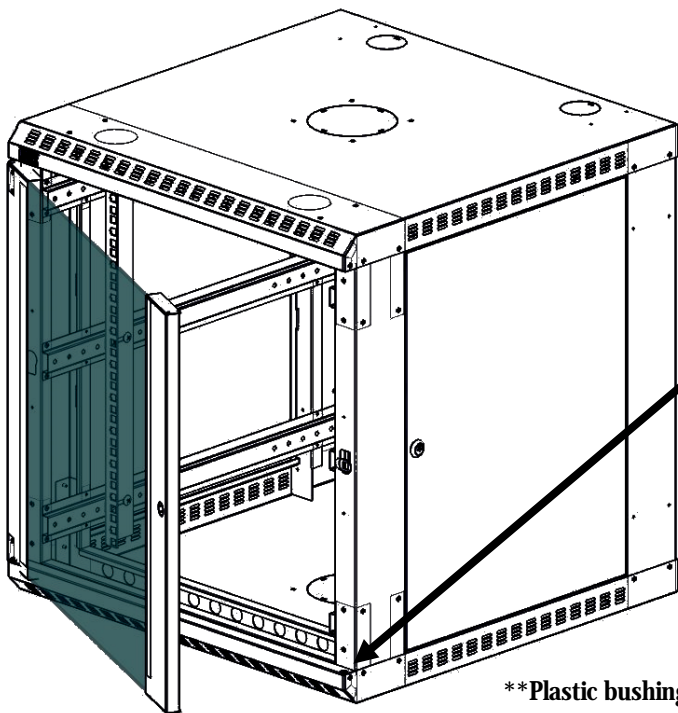


Step 3:

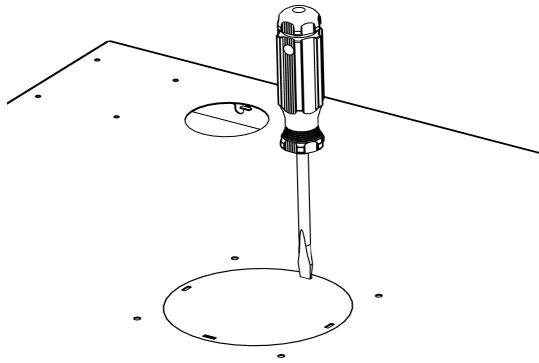


Finish installing the enclosure by securing screws along the 16" wide mounting pattern.

Step 4:

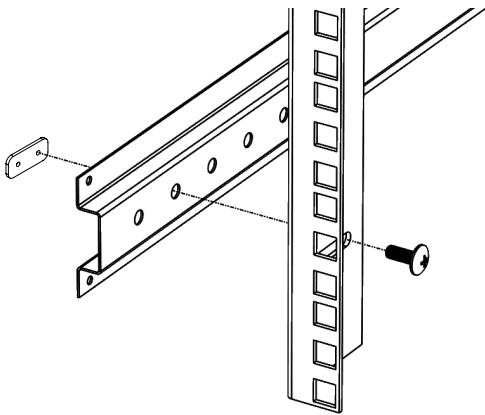


**Plastic bushing can be removed from the bottom pan of keyed side. This is inserted to help support the door during shipping, but is not needed once the cabinet is installed.



Removing Knock Outs

- 1) Insert a flat head screwdriver into the small opening at the edge of the knock out.
- 2) Pry upwards and twist until insert breaks free.



Adjusting the Rail Depth

- 1) Unscrew the rail from the rail support. Move the rail forwards or backwards to desired location. Insert screw and secure.



Information Support Concepts, Inc.
6619 Beryl Drive, Suite 204
Arlington, TX 76002-5469
800-458-6255
Fax - (682) 410-0353
Phone - (682) 410-0354