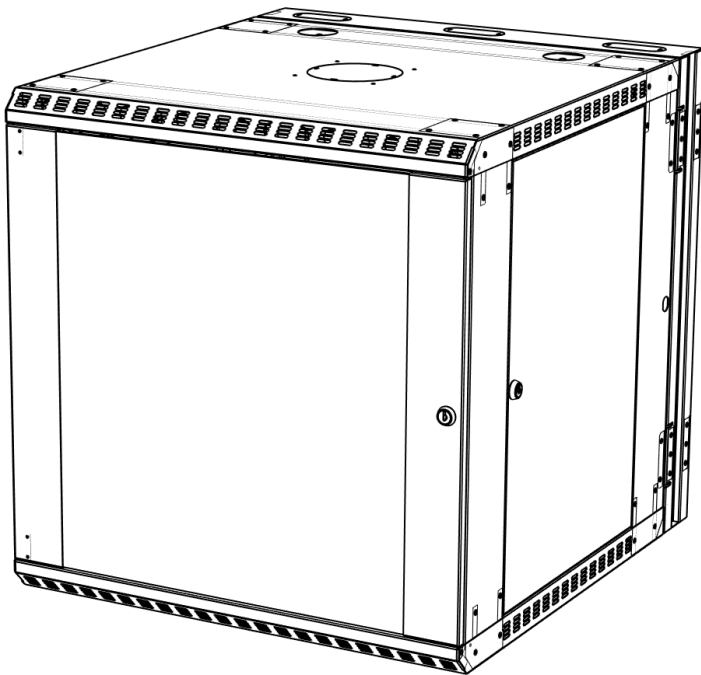


Installation Instructions

LINIER® SWING-OUT WALL MOUNT CABINETS

Part Numbers:

Glass Door	Solid Door	Vented Door
6U - 3130-3-001-06	6U - 3131-3-001-06	6U - 3132-3-001-06
9U - 3130-3-001-09	9U - 3131-3-001-09	9U - 3132-3-001-09
12U - 3130-3-001-12	12U - 3131-3-001-12	12U - 3132-3-001-12
15U - 3130-3-001-15	15U - 3131-3-001-15	15U - 3132-3-001-15
18U - 3130-3-001-18	18U - 3131-3-001-18	18U - 3132-3-001-18
22U - 3130-3-001-22	22U - 3131-3-001-22	22U - 3132-3-001-22



PLEASE READ INSTRUCTIONS BEFORE MOUNTING

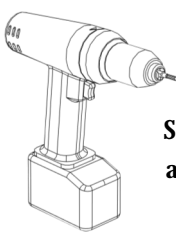
**IT IS CRITICAL THAT THE CABINET BE
INSTALLED CORRECTLY TO MAINTAIN
SAFETY AND WEIGHT CAPACITY**

Information Support Concepts
2384 Highway 287 N.
Suite 208
Mansfield, TX 76063-9207

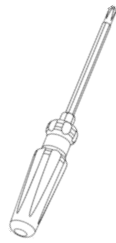
800-458-6255 U.S. Only
Fax (817) 842-9099
Local (817) 842-9090

www.serverrackoptions.com

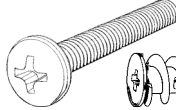
Tools/Hardware needed:



**Screwdriver
and/or Drill**



You may also need:

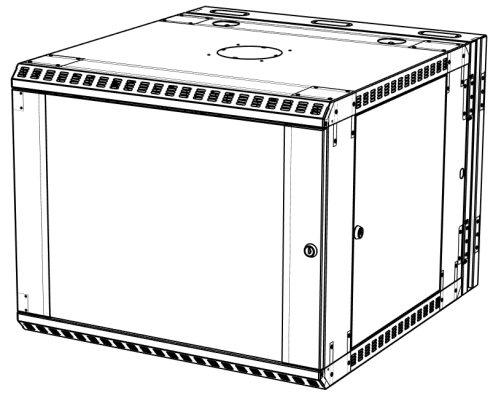


**Mounting screws
and anchors**

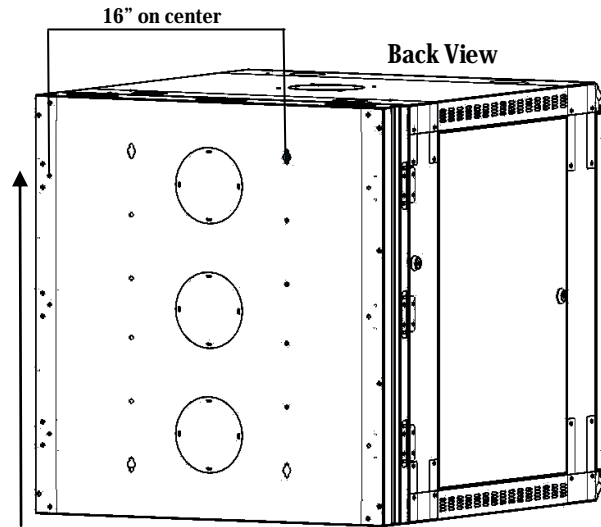
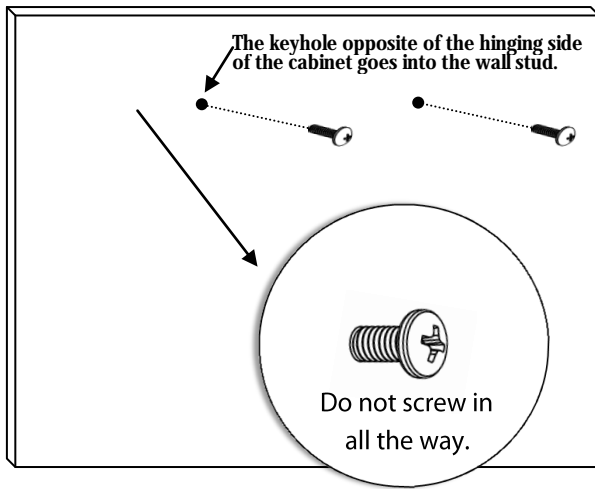
Mounting hardware is **NOT** included

What's in the box?

**Qty 1:
LINIER Swing-
Out Wall Mount
Cabinet**

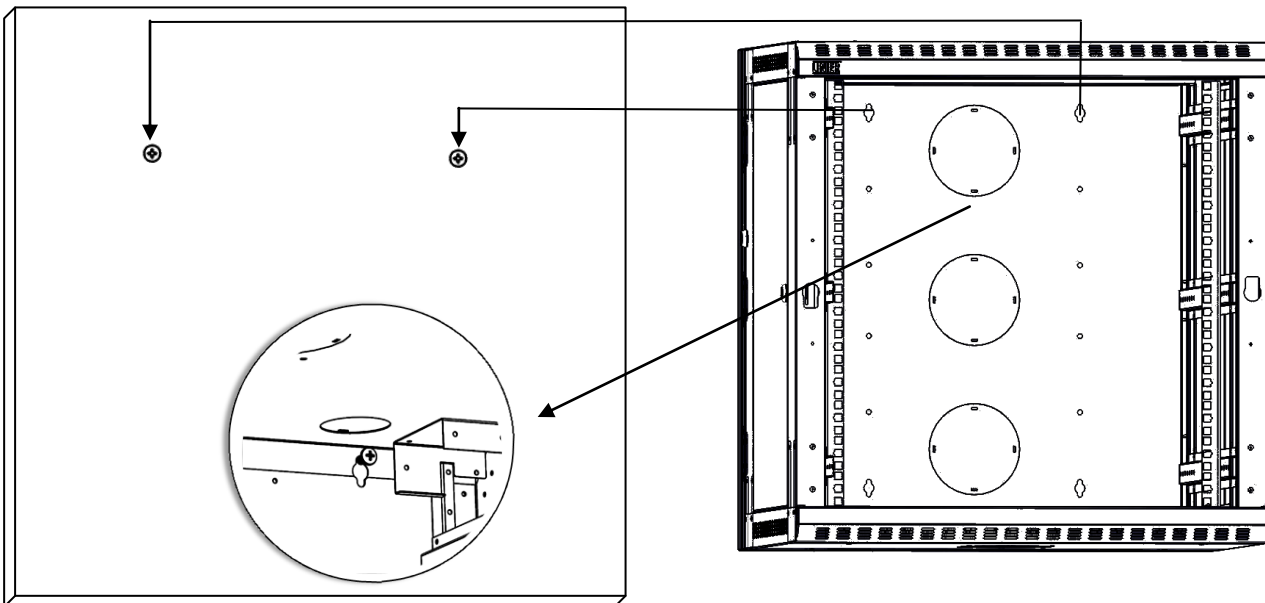


Step 1:

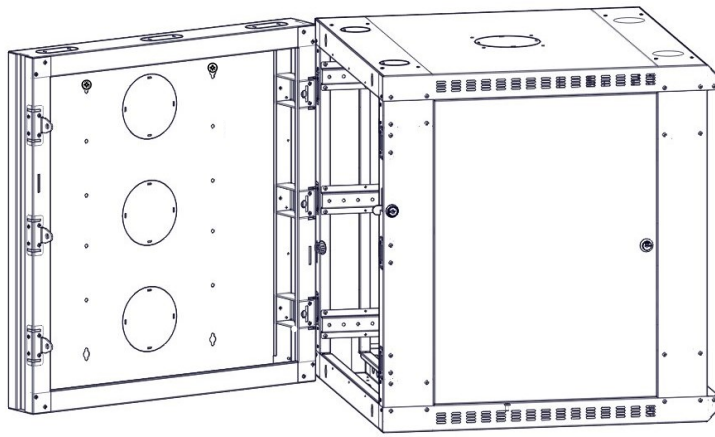


Hinging side

Step 2:

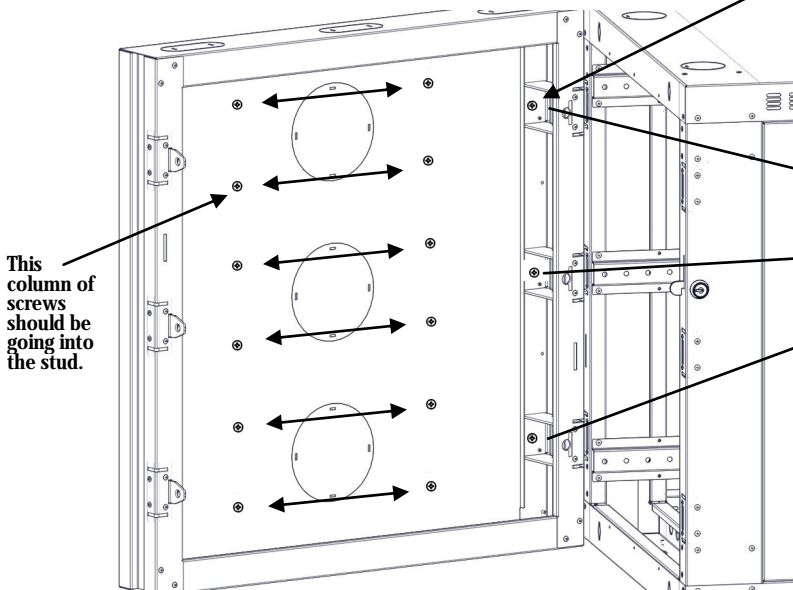


Step 3:



Swing the cabinet open carefully

Step 4:



This column of screws should be going into the stud.

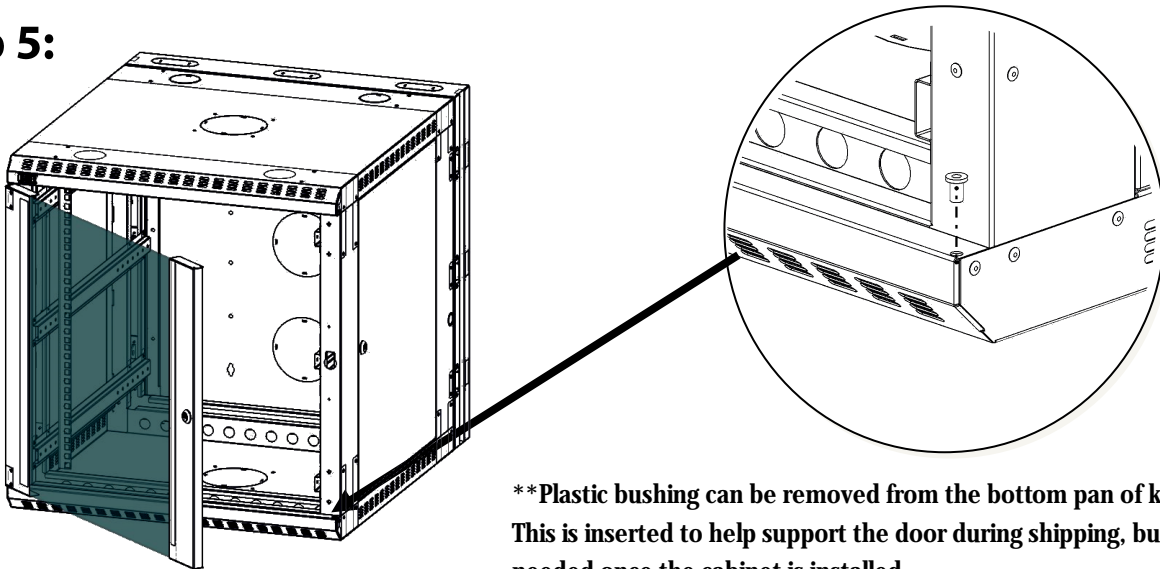
****IMPORTANT****

Screws going through the hinge are critical! They should be going into the studs to maintain weight capacity.

Finish installing screws along mounting holes.

**** HINGES ARE CRITICAL ****

Step 5:

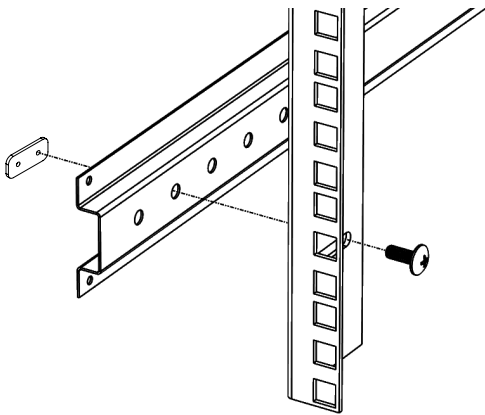


****Plastic bushing can be removed from the bottom pan of keyed side. This is inserted to help support the door during shipping, but is not needed once the cabinet is installed.**



Removing Knock Outs

- 1) Insert a flat head screwdriver into the small opening at the edge of the knock out.
- 2) Pry upwards and twist until insert breaks free.



Adjusting the Rail Depth

- 1) Unscrew the rail from the rail support. Move the rail forwards or backwards to desired location. Insert screw and secure.

