

User Manual

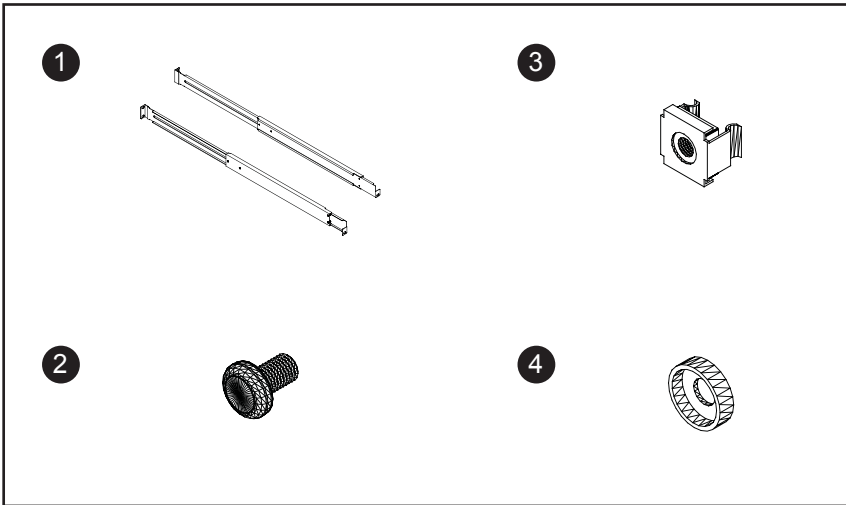
NBK-01 "One Man" Installation Slides



- Designed for
LCD Keyboard Drawer

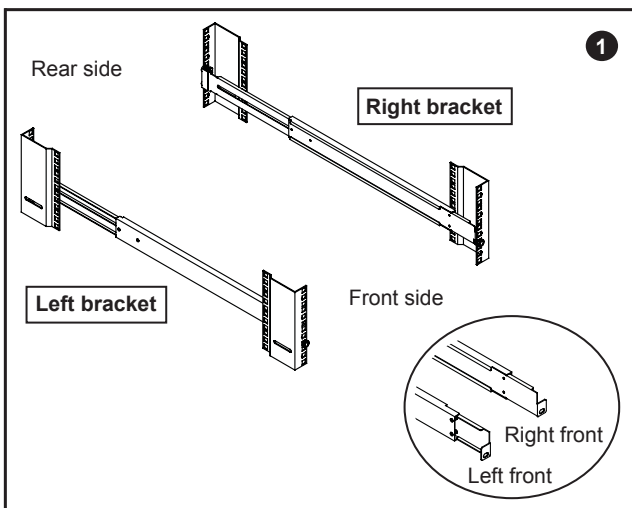
How to Install "One Man" Installation Slides

Package Contents



- ① Mounting bracket x 2 pcs
- ② M6*15mm screw x 8 pcs
- ③ M6 cage nut x 6 pcs
- ④ Cup washer x 8 pcs

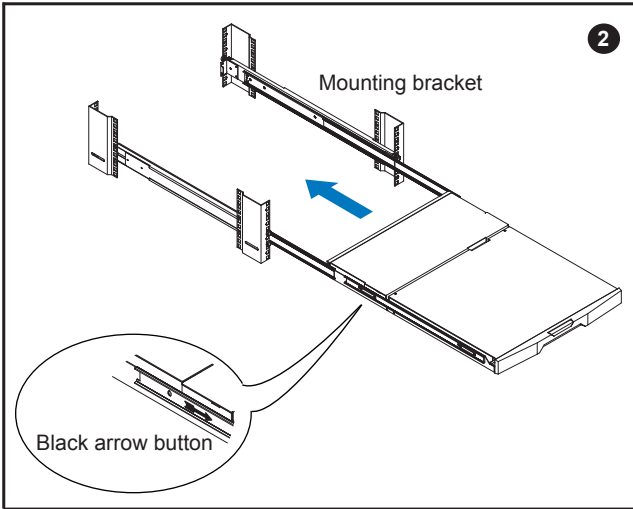
Install into rack



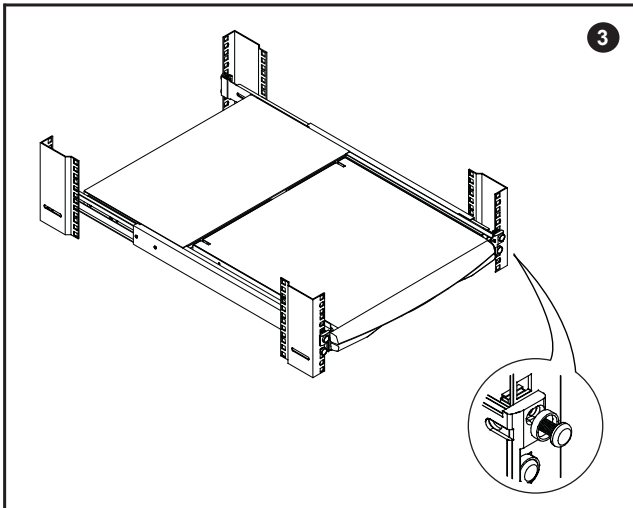
- Attach the left and right mounting bracket to rack 19" mounting rails.
- Adjust the rear mounting bracket to fit your rack.
- M6 screw and cup washer x 6 pcs included.

⚠ Caution : Leaving the screws slightly loose, until you complete the installation in step ④

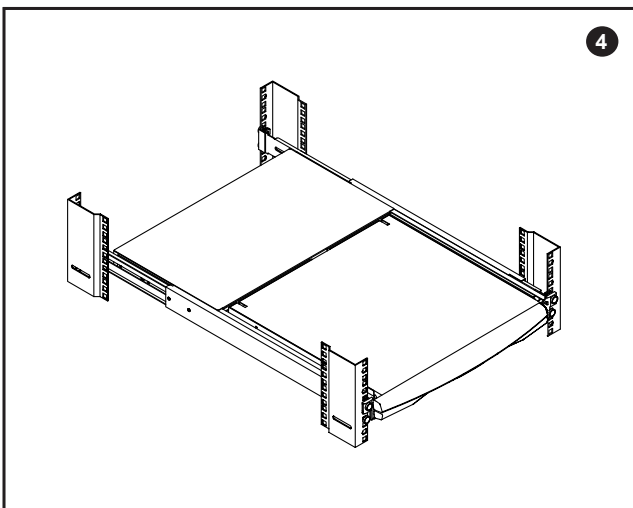
How to Install "One Man" Installation Slides



- Pick up the LCD keyboard drawer.
- Insert the LCD keyboard drawer into the mounting bracket.
- Pull and hold the left & right black arrow buttons on the rails.
- Return the LCD keyboard drawer to park position.



- Attach front left and right mounting ears of the LCD keyboard drawer to vertical mounting rails.
- M6 screw and cup washer x 2 pcs included.



Complete the installation

- Tighten all 8 pcs of M6 screw to complete the installation.

The company reserves the right to modify product specifications without prior notice and assumes no responsibility for any error which may appear in this publication.

All brand names, logo and registered trademarks are properties of their respective owners.

Copyright 2009 Austin Hughes Electronics Ltd. All rights reserved.

CV-NBK25-0409V3